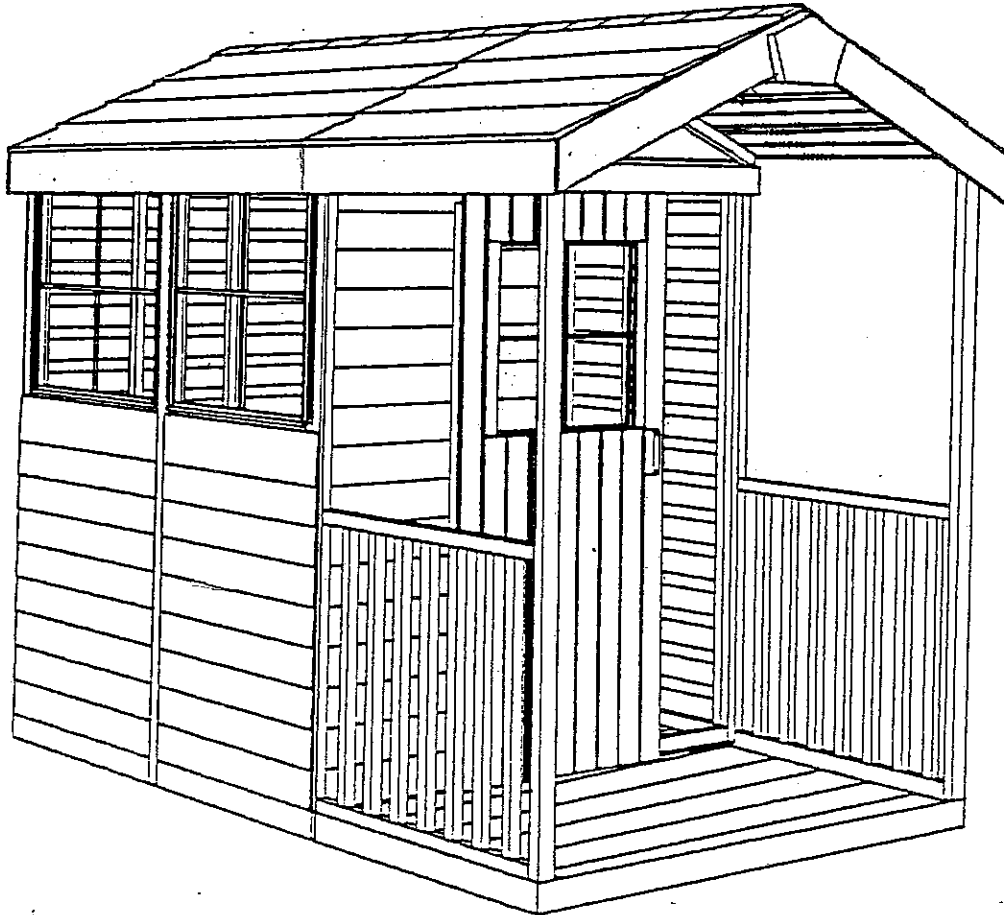


FLOOR PARTS AND ASSEMBLY:

PLEASE REFER TO THE PRE-CUT  
FLOOR ASSEMBLY INSTRUCTIONS



# GARDENER'S DELIGHT PANELIZED GARDEN BUILDING

---

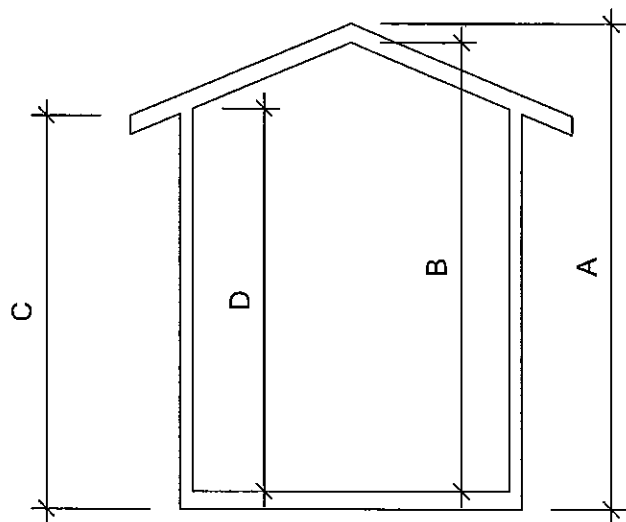
## INSTRUCTIONAL MANUAL

Cedarshed Industries (1992) Inc.  
9770 - 199 A Street  
Langley, B.C. V1M 2X7  
Canada

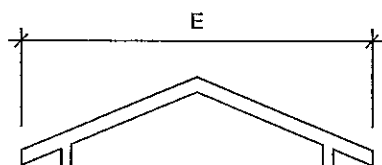


# GARDENER'S DELIGHT SHED SPECIFICATION

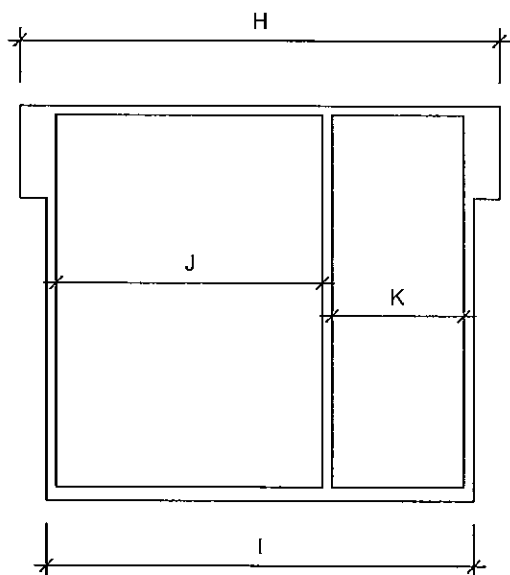
Revised 07/25/07



HEIGHT



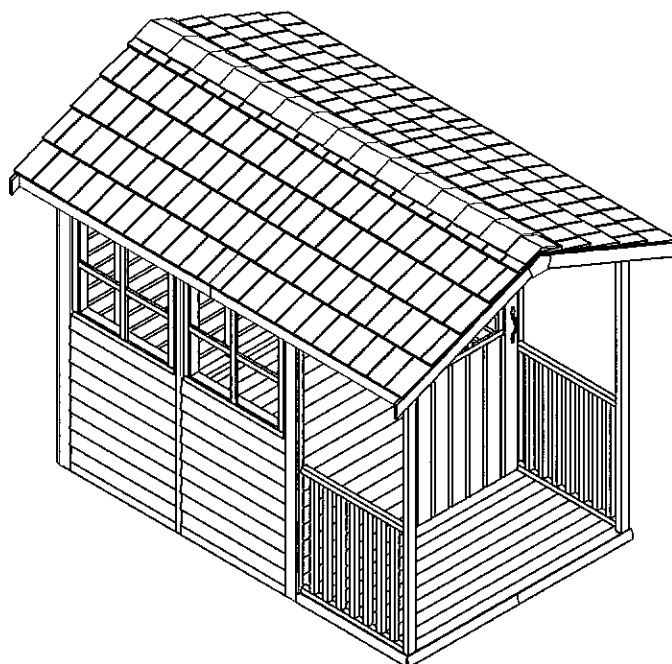
WIDTH



DEPTH

Western Red Cedar Shingle Roof  
 All framing components are nominal 2"x3" in size  
 2"x3" floor joists on 16" centers  
 Wood siding is Bevel Siding  
 Window panel can be placed any side of the shed  
 All windows are plexi glass windows - 1/8" thick

Measurements for Gardener's Delight Shed		
Dimemnsion (metric in brackets)		
Size	6' x 9' (1829x2793)	
Inside Area	32 Sq. Ft. (2.98 m <sup>2</sup> )	
Height	A	99" (2515)
	B	88" (2235)
	C	80" (2032)
	D	75 1/4" (1905)
Width	E	83" (2108)
	F	69" (1753)
	G	64" (1627)
Depth	H	122" (3099)
	I	108 5/8" (2759)
	J	74" (1880)
	K	34" (864)
	Door	29 1/2"x72" (749x1828)
Window Opening	24"Wx28"H (610x711) 2 - Functional awning windows	
Window Opening	23"Wx25 1/4"H (584x641) Non-functional window	
Weight	955 lbs (433.19 kg)	
Package Size	80"Lx48"Wx48"H(2032x1219x1219)	



# Use of Outdoor Rated Wood Adhesive

Revised 07/07/07

- To add additional structural integrity to your Cedarshed structure, a good outdoor rated wood adhesive can be used where panels are joined together. This would include the following locations:

## GARDEN SHEDS

Floor panel to floor panel  
Wall panel to wall panel  
Wall panel to floor panel  
Header to wall panel  
Top plate to wall panels  
Gable panels to top plate  
Roof panel to gable panel  
Roof panel to top plate  
Gusset to rafter

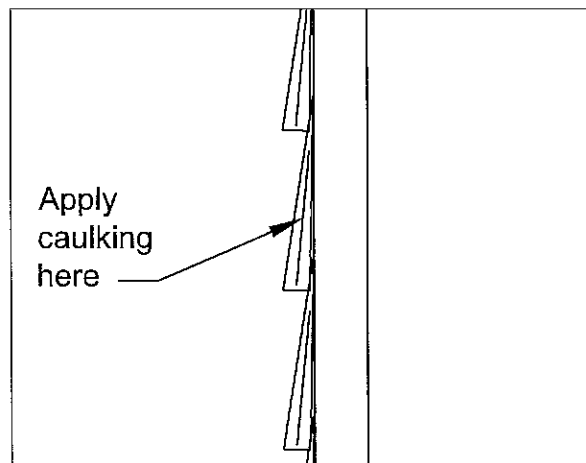
## GAZEBO STRUCTURES

Joist parts to joist parts  
Deck boards or panels to joist  
Post to post  
Post to deck  
Wall panels to deck  
Baluster to rail fillets  
Rail fillets to rails  
Rails to posts  
Top rails to posts  
Headers to posts  
Rafters to headers  
Rafters parts to rafter parts  
Roof sheathing to rafters  
Roof panels to rafters

- Please note: If you plan on disassembling your Cedarshed structure at a later date, then an adhesive would not be recommended.

# Use of Outdoor Rated Latex Caulking

- In times of heavy rain, water may weep into your Cedarshed structure. To help to prevent some of this from happening, a good quality latex caulking applied on edges of the siding before affixing the trim boards into place is recommended.
- Please refer to the diagram below for more details.



EDGE OF WALL PANELS

GARDENER'S DELIGHT PARTS LIST

FLOOR PARTS AND ASSEMBLY:

Floor

PLEASE REFER TO THE PRE-CUT  
FLOOR ASSEMBLY INSTRUCTIONS

<i>Walls</i>	5	- Wall panels (no window)
	2	- Wall panels (with window)
	5	- 2x3 - Top headers
	2	- Handrail panels
<i>Door</i>	1	- Door panel
<i>Door Framing</i>	1	- Door Frame
<i>Door Trim/Track</i>	1	- 2x2 - Track assembly (with track)
	1	- 1x3 - Track fascia board
	2	- 1x4 - Spacer boards
	1	- 1x2 - Door stop
	1	- 1x3 - Top door trim
	1	- 5/8" x 5/8" - Door guide
<i>Roof</i>	4	- Panels
<i>Gable End Panels</i>	2	- Gables
<i>Top Plates</i>	4	- 1x3 - Pieces
<i>Bottom Skirting</i>	6	- 1/2 x 3 - Side/Back Skirting
	3	- 1x4 - Porch Skirting (2 side/1 front)
<i>Top Skirting</i>	4	- 1/2 x 3 - Side skirting
	2	- 1/2 x 4 1/2" - Back skirting
<i>Soffit</i>	4	- 1/2 x 4" - (2 long/ 2 short)
<i>Fascia</i>	4	- 1x4 - Pieces
<i>Gusset</i>	3	- 2x3 - Pieces
	2	- 2x2 - Pieces
<i>Finishing Trims</i>	3	- 1x2 - Pieces
<i>POST</i>	2	- 2x4 ANGLE CUT
<i>Corner Boards</i>	4	- 1x4 - Wide pieces
	2	- 1x2 - Narrow pieces
	1	- 1x2 - Left corner trim
<i>Hardware</i>	1- Bundle	- Ridge cap
	1- Bag	- 3" Screws
	1- Bag	- 2" Screws
	1- Bag	- 1 3/4" Finishing Nails for trims
	1- Bag	- 2" Nails for ridge caps
	1- Bag	- 1" Nails for roofing felt
	1- Roll	- Roofing felt
	1	- Hasp
1	- Door handle	
8	- Metal roof flashing	

## GARDENER'S DELIGHT

### A FEW WORDS ABOUT THE CARE AND COSMETICS OF YOUR GARDENER'S DELIGHT

Your Cedarshed Gardener's Delight is made of Western Red Cedar lumber, a beautiful and durable outdoor wood that will enhance your leisure space and your property, and provide years of enjoyable use.

Natural, unfinished Western Red Cedar, when exposed to the elements, will weather to a beautiful silvery grey. If you prefer to maintain the natural tones of Western Red Cedar, please ask your Authorized Cedarshed Dealer to recommend a quality stain, which is best applied after assembly.

You may also notice occasional coloured chalk or crayon markings on parts of the wood. These markings can be removed with a damp cloth or a very fine sandpaper.

When we package your Gardener's Delight for shipping, it is wrapped in an environmentally friendly paper product, and held in place by staples. Be sure that all the staples are removed – a pair of pliers may be necessary.

#### **NOTE:**

Assembly of the Gardener's Delight will require the use of power tools and certain applications will require a ladder. Please take precautions at all times.

The customer agrees to hold Cedarshed Industries (1992) Inc. (Cedarshed) and any of our Authorized Dealers free of liability due to improper installation, maintenance and repair of any Cedarshed products.

Obtaining necessary municipal/county/state (whichever necessary) permits is the sole responsibility of the purchaser.

Please see our website at [www.cedarshed.com](http://www.cedarshed.com) for additional safety points and other considerations to promote safe and enjoyable usage of your new Gardener's Delight for many years to come.

## UNPACKING

To Confirm you have received all parts, sort pieces according to usage. Call or e-mail us immediately if you are missing any parts and we will courier any part(s) within seven (7) days, free of charge.

Toll Free Customer Support Line: 1 800 830 8033

Email: [Sales@cedarshed.com](mailto:Sales@cedarshed.com)

## PRE-ASSEMBLED COMPONENTS

Your Gardener's Delight has been shipped from the factory in pre-assembled panels to assist you in ease of construction.

## TOOLS REQUIRED

- 6' Step Ladder
- Hammer(s)
- Electric power drill(s) or cordless drill(s) [with extra batteries] and appropriate screw head bit
- Carpenter's level
- Measuring Tape
- 1/8" Drill Bit
- Garden shovel [for site work]

## A. SITE SELECTION

Be sure to allow for a 12" (31cm) roof overhang on all sides of your Gardener's Delight. The overhang is included in the table figures below.

It is important that you site surface is flat and stable.

The following list shows the area required for your Gardener's Delight:

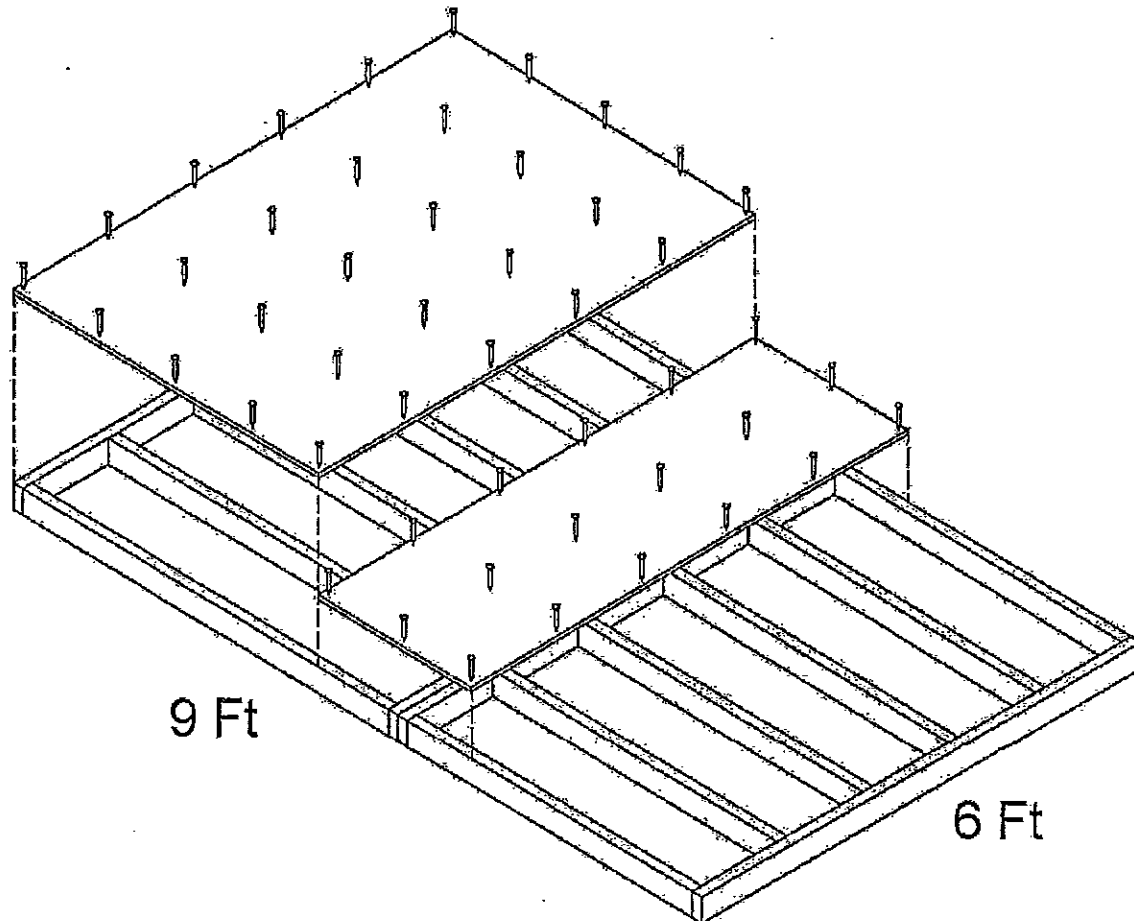
*Size of Gardener's Delight – 6' x 9'*

*Area Required – 7.2' x 10.5'*

*Vertical Clearance – 9'*

Take some time now to plan the orientation and sitting of your building to suit your particular site requirements.

# PRE-CUT FLOOR ASSEMBLY INSTRUCTIONS FOR THE 6 x 9 MODEL WITH PORCH



## Parts list for Pre-Cut Floor:

- Plywood Sheet 48" x 69" - 1
- Plywood Sheet 24" x 69" - 1
- Floor Joist 2" x 4" - 57 1/2" - 6
- Floor Joist 2" x 4" - 45" - 6
- Rim Joist 2" x 4" - 69" - 4
- Deck Boards 1" x 3" - 69" - 15

CedarShed Industries  
How to Build  
Panelized Garden Sheds

CedarShed's line of premium garden sheds consists of sheds with standardized wall and door panels that allow for ease of installation and customization of window and door placements. There are three instruction manuals that come with each shed kit:

- (1) provides the precut floor instructions for your particular size shed.
- (2) provides the standard instructions for all models, and
- (3) provides the instructions for panels and parts that are specific to the particular shed model you have purchased.

Should you have any questions or comments regarding our products or our instruction manuals, please contact us by email at [info@cedarshed.com](mailto:info@cedarshed.com) or by phone at 1-800-830-8033.

TOOLS REQUIRED

Garden tools for foundation and leveling of building site.  
Power drill & drill bits (1/16" drill bit)  
Stapler (use to secure insect screening and roofing felt).  
8 ft step ladders (2)  
3 ft carpenter's level  
Hammer  
Tape measure  
Pencil  
Crowbar

ADDITIONAL MATERIALS REQUIRED

Foundation or concrete patio stones

ASSISTANCE REQUIRED

A minimum of two people will be required to construct the building.  
A third person will be helpful when working on the roof structure.

SAFETY POINTS AND OTHER CONSIDERATIONS

As a proud owner of a CedarShed product, we want you to safely enjoy it for many years to come. Our products are built for use based on proper installation on level ground and normal residential use. Please follow the Assembly Manual when building the structure and keep these manuals for future reference.

When using power tools, ladders or any other tool, observe all safety precautions recommended by the manufacturer. Always use appropriate safety equipment, such as gloves, hearing and eye protection.

Customers agree to hold CedarShed Industries (1992) Inc. and any Authorized Dealer free of any liability for improper installation, maintenance and repair of any CedarShed product.

Some safety tips to consider include:

1. Roof snow load rating varies by geographical location. If a heavy or wet snowfall occurs, it is advisable to clear the snow off the roof.
2. If the structure is elevated above ground, local building code requirements are solely the owners responsibility and should be abided by.
3. In high or gusty wind conditions it is advisable not to use the structure and it may be advisable to keep the structure securely grounded.
4. Have a regular maintenance plan to ensure floors, walls, doors, windows, roofing members etc. are secure and ready from adverse weather conditions.
5. In some geographical regions, our products are not rated for human occupancy. Please check with local authorities if this is the intended use for our products..
6. It is important to first properly prepare and level the foundation to ensure the proper construction of CedarShed products. Please review the information in the assembly instruction manuals or our website, or alternatively, consult with a professional with knowledge on properly preparing a foundation.

Local conditions, personal construction abilities and other factors may effect the construction of any CedarShed product, so it is possible that your experience may differ from those presented in this manual, in our catalogues or on our websites.

Our customers love telling us their CedarShed stories and we are proud to hear them. Whether your story tells us of a satisfying experience (“pat on our backs”) and of a frustrating experience (we need to know to correct our mistakes), we want to hear them all. So please take a moment to tell us your story. Who knows, your story may be featured on our website or in our next catalogue.

Please visit our website at [www.cedarshed.com](http://www.cedarshed.com) for additional safety tips and other considerations to promote safe and enjoyable usage of your CedarShed product for years to come.

## WALLS TO ROOF ASSEMBLY INSTRUCTIONS (refer to separate enclosed manual)

The assembly instructions for the structure from walls to roof is enclosed as a separate instruction manual. Once the floor structure is complete refer to the manual entitled “STANDARD SHED INSTRUCTIONS” to complete the rest of the project.

## USE OF OUTDOOR RATED WOOD ADHESIVE

To add additional structural integrity to your CedarShed structure, a good outdoor rated wood adhesive can be used where panels and parts are joined together. This would include the following locations:

### GARDEN SHEDS

floor panels (plywood) to joist  
wall panels to floor structure  
header to wall panels  
wall panels to wall panels  
top plates to wall panels  
gable panels to wall panels  
roof panels to gable panels  
roof panels to top plates  
gussets to rafters

### GAZEBOS

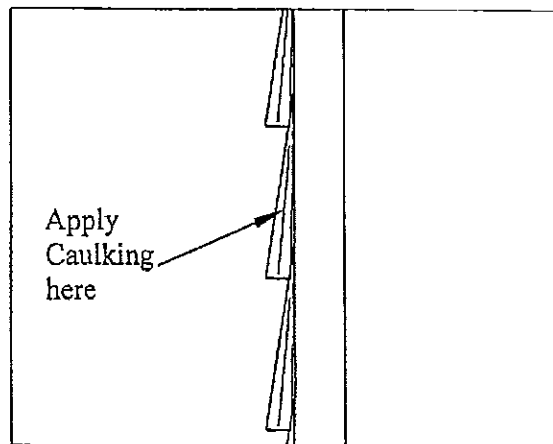
joist parts to joist parts  
deck boards to joist  
balusters to rail fillets  
rail fillets to rails  
rails to posts  
post to post  
header to posts  
rafters to headers  
rafter parts to rafter parts  
roof sheathing to rafters  
roof panels to rafters

**PLEASE NOTE:** If you plan on disassembling your CedarShed structure at a later date then an adhesive would not be recommended.

## USE OF OUTDOOR RATED LATEX CAULKING

During periods of heavy rain, water may weep into your CedarShed structure through the walls. To help prevent this from happening, a good quality latex caulking applied on the edge of the siding before affixing the trim boards is recommended. Please see the diagram below for details.

EDGE OF WALL PANEL  
CROSS SECTIONAL VIEW



## FOUNDATION PREPARATION

### PREPARE THE SITE:

Before you begin assembly, clear the construction area. Remove all organic material such as roots grass, dirt and large rocks that may compromise the ability to level the site. Make sure the ground slopes away from the site at least 10 ft. (3.05 m.) in all directions. If necessary, build up the centre of the site and slope away from the high point to provide drainage. Fill in any low spots within the perimeter of the site. Be sure to use gravel or a good packing material to level the site. Make sure it is packed down before beginning the building process.

### FIUNDATION CHOICES:

#### 1. Concrete Patio Stones (not included)

If the ground is stable and has sufficient drainage, you can set patio stones directly on a firm compacted gravel base. Make sure the stones are thick enough to allow air circulation under the structure. This helps to prevent dry rot from setting in on the joist. The bearing points are outlined in the next page of this manual.

#### 2. PRESSURE TREATED WOOD STRINGERS (not included)

A second option is to use 4x4 (90 mm x 90 mm) stringers which can run the full width of the structure. Be sure to use a stringer every 4 ft. For example for an 8x12 floor structure, you will need 4-8 ft. stringers. This reduces the amount of leveling needed as you only need to level each end of the stringer. However, it will increase the height of the shed and you may require a ramp or an additional step at the doorways.

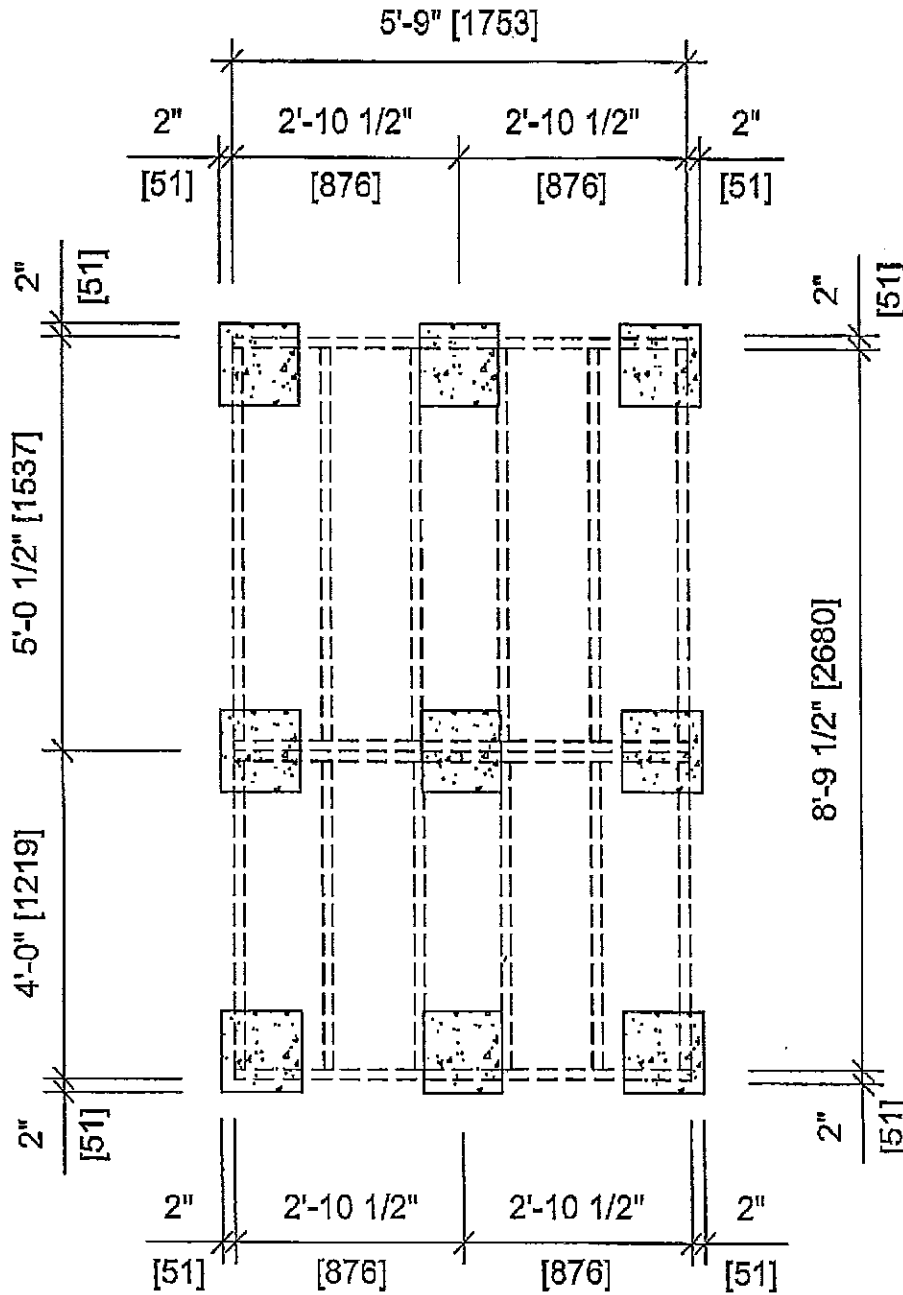
#### 3. CONCRETE SLAB

Typically a slab 3"-4" (75 – 102 mm) thick laid over a subbase of 4" (102 mm) of gravel or crushed rock is sufficient but may vary (consult your local Home Centre). Either mix your own concrete or have it delivered to your site. A 10' x 10' x 4" (3.05 m. x 3.05 m. x 10.2 cm.) slab will require approximately 1 cubic yard (0.764 cubic metre) of concrete. In any case, make sure you excavate the slab area to a depth of 6" (15.2 cm.), use 4" (10.2 cm.) of gravel as your subbase. Welded wire mesh as reinforcing (optional) and 4" (10.2 cm.) of concrete (trowel to allow for drainage away from the centre high point). Still use 1" (2.54 cm.) thick patio stones on the concrete slab to allow adequate air circulation to keep the floor joist dry. This will prevent dry rot from setting in.

#### 4. POURING CONCRETE PIER POINTS USING SAUNA TUBES

Another option would be the pouring of concrete pier points using sauna tubes. Using the next page as a guide, place sauna tubes into the ground at each of the bearing points. Make sure the tops of the sauna tubes are level with the other. You may also wish to inbed metal straps into the concrete. These straps will be nailed to the joist structure.

# FOUNDATION PREPARATION



Suggested stone placement for floor stabilization.

**NOTE:**

This layout shows 12" x 12" [305x305] patio stones with a 2" [51] exposure around floor joist system. Make adjustments as necessary.

# FOUNDATION PREPARATION

1. Use a 2x3 or 2x4 straight piece of lumber on edge and a carpenter's level to level the perimeter patio stones. Add or remove soil under each stone until it is flush with the bottom of the 2x4 as shown in Fig. 1. Continue this procedure with the stones until you are satisfied all the stones are level with one another.

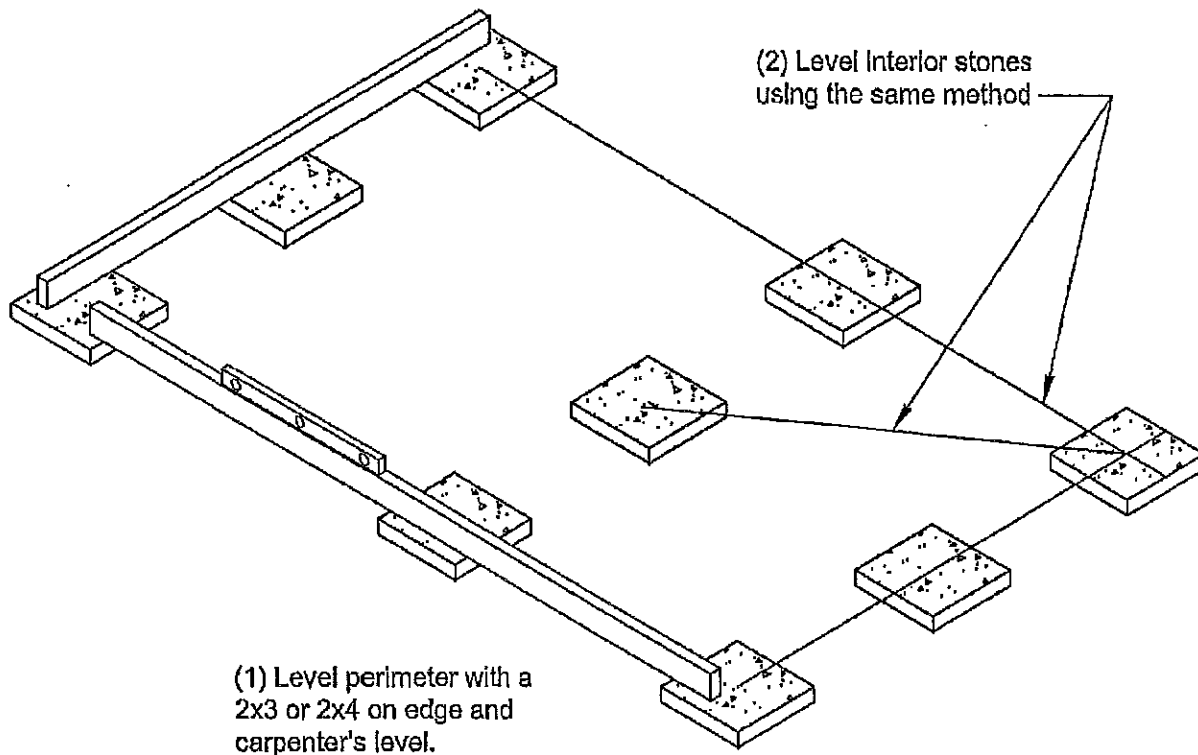
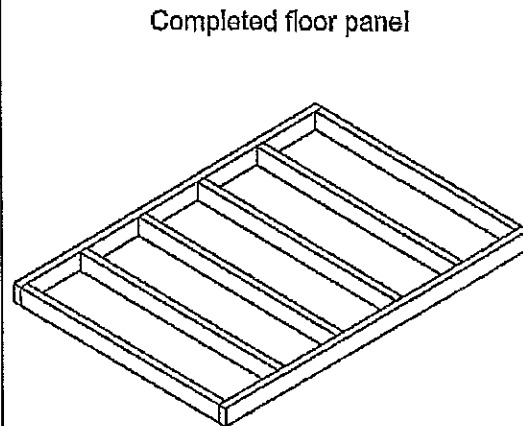
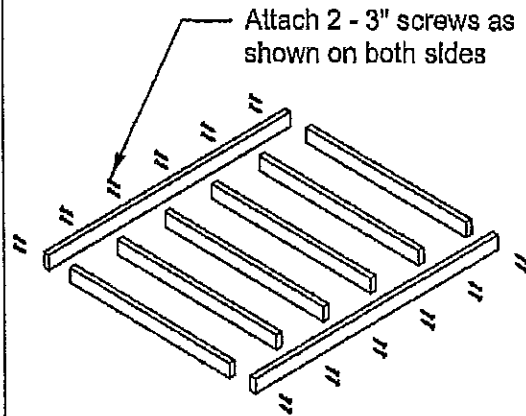
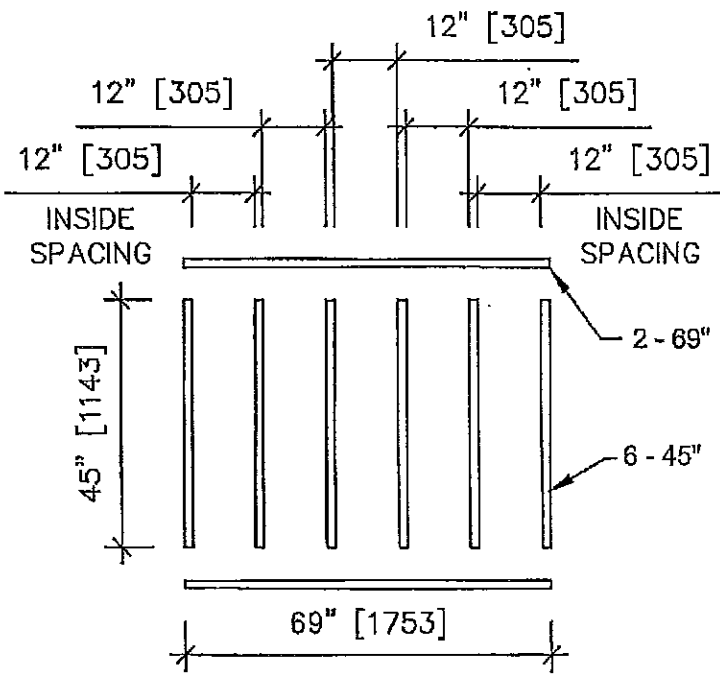


Fig. 1

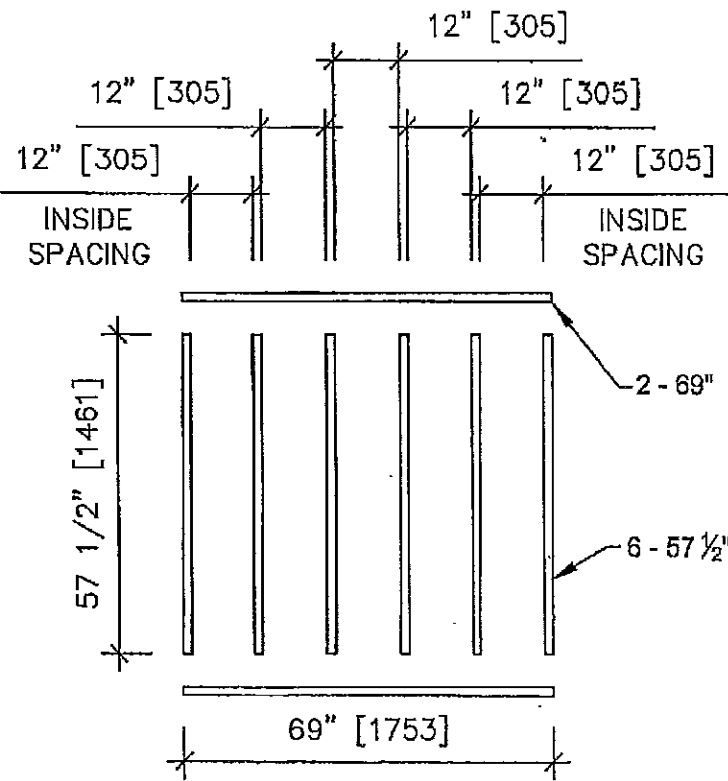
# JOIST BOX ASSEMBLY

Lay the joist parts out as per Fig P1 - 1. Using 2 - 3" screws per joint, assemble the joist box together as per Fig P1 - 2. The completed joist box is pictured in Fig P1 - 3.



# JOIST BOX ASSEMBLY

Lay the joist parts out as per Fig P3 - 1. Using 2 - 3" screws per joint, assemble the Joist box together as per Fig P3 - 2. The completed Joist box is pictured in Fig P3 - 3.



69" x 60 1/2" floor panel layout.

Fig. P3 - 1

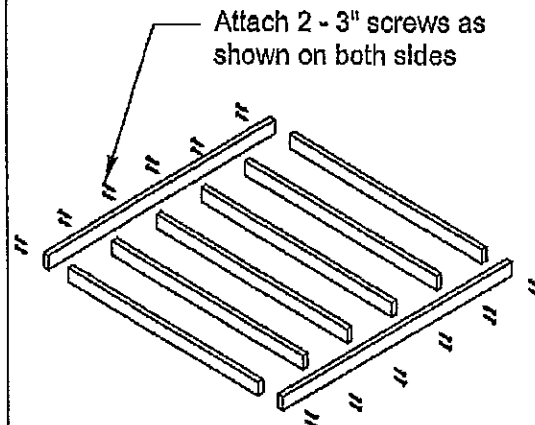


Fig. P3 - 2

Completed floor panel

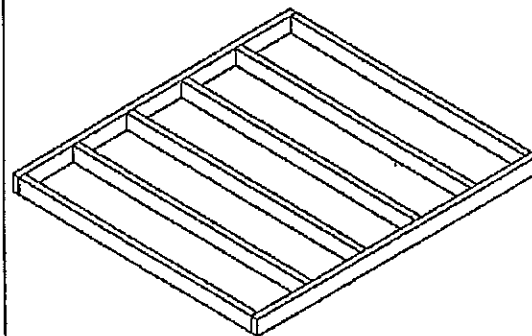
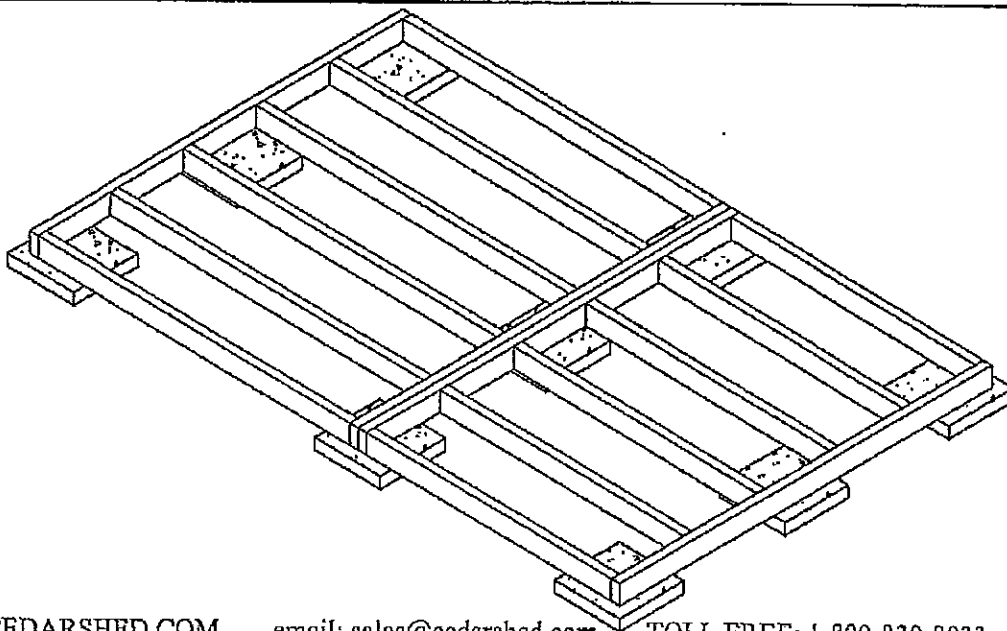
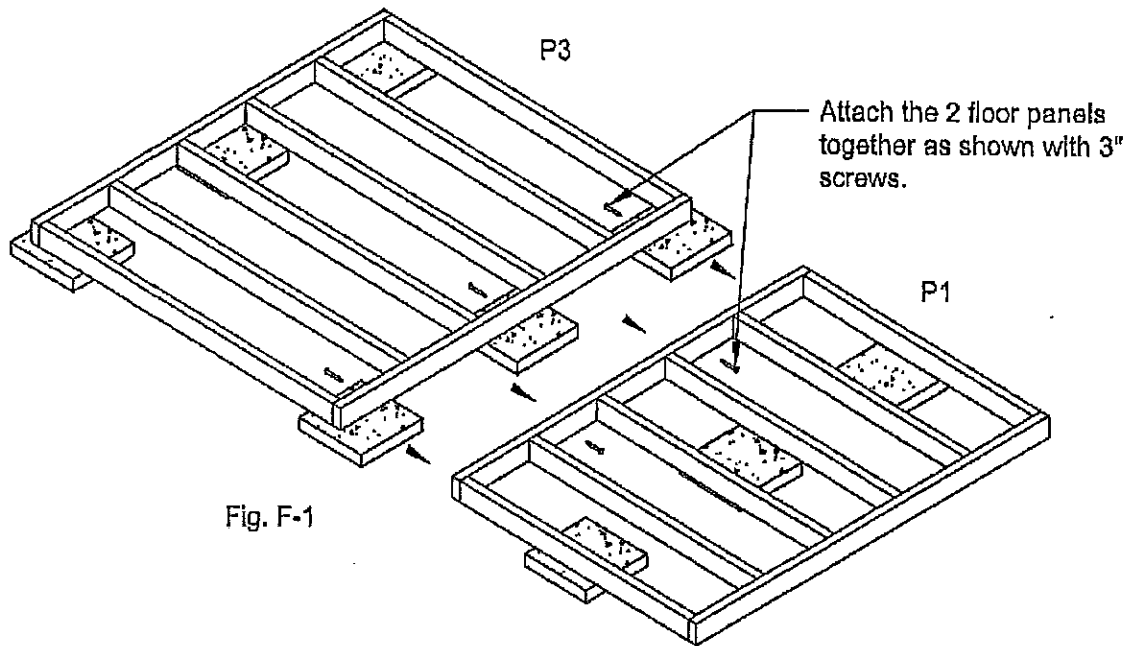


Fig. P3 - 3

## 6x9 Floor

1. Take the box P1 and P3 and by using 5-3" screws attach together. Take the attached box frames and lay it over top of the patio stones as per Fig. F-1. This completes the joist frame.
2. Now check the joist frame for level. It is very important to have a level floor. Making sure the floor is level will make the installation of wall and roof panels much easier. If need be, adjust the height of the joist frame by using some of the packaging pieces of cedar that came with the shed as shims.



3. Now lay the plywood sheets over top of the frame. See Fig -2 for details using the 2" screws, affix the plywood using a screw every 12" on center on each of the joint members (rows). As an example, to affix the 69" x 48" plywood sheet to joist frame would require 30 - 2" screws (6 joist members by 5 screws per row).

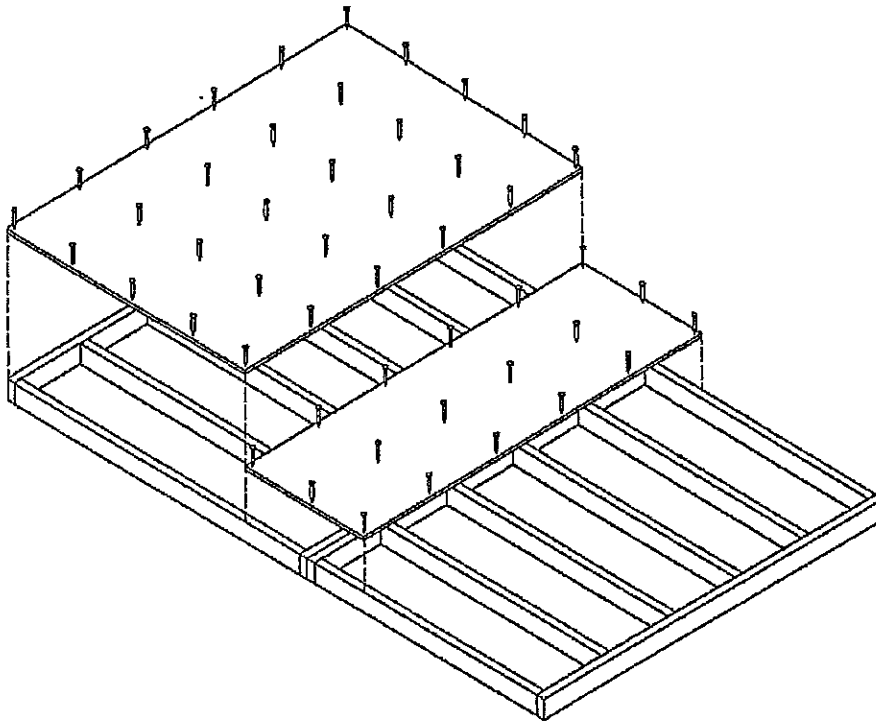
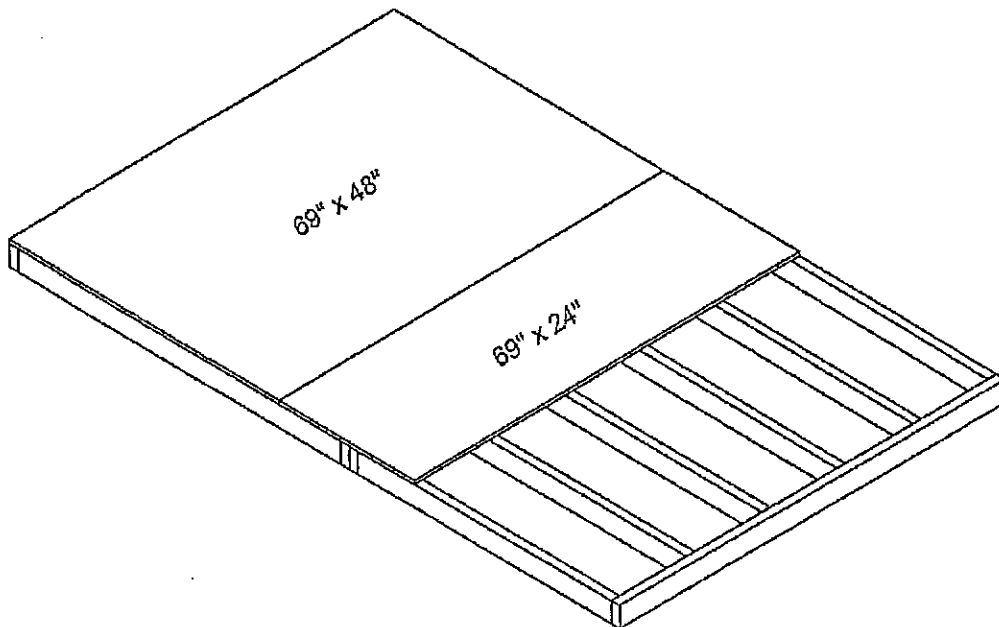


Fig. F-2



4. Once the plywood sheets have been attached, then lay the 69" deck boards over top of the remaining exposed joist members. The number of pieces will depend on the width of each deck board. The table below outlines the number of deck pieces by board width. Use 2-2" nails to affix the ends of each board and use 1-2" nails to affix the deck boards to the interior joist members. Refer to Fig. F-3 for details. Fig. F-4 shows the finished floor structure.

<u>Board Width</u>	<u># of pieces</u>
2 1/2"	14
3 1/2"	10

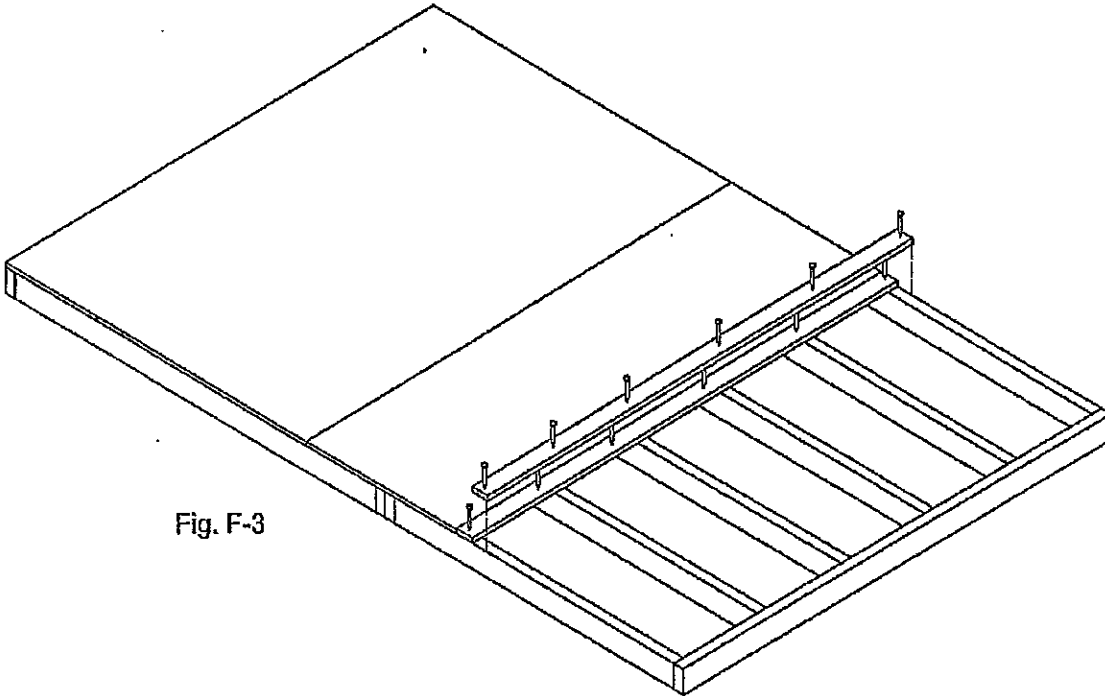


Fig. F-3

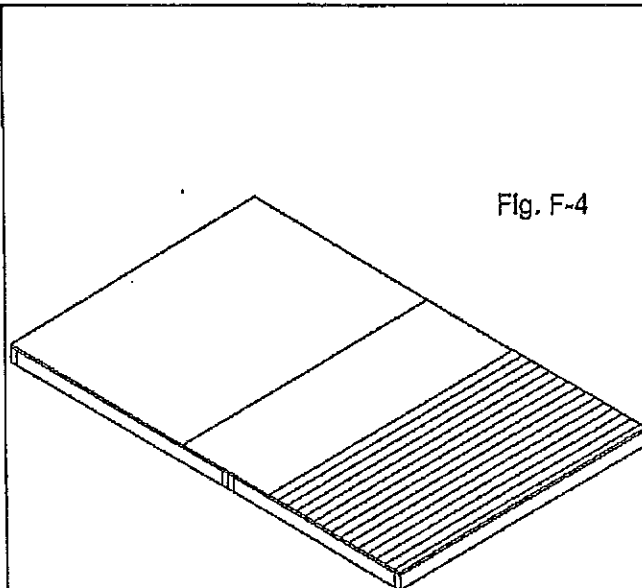
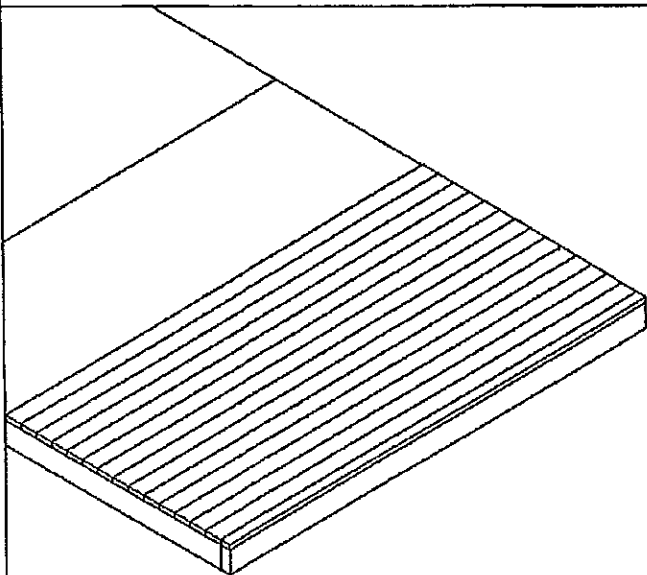


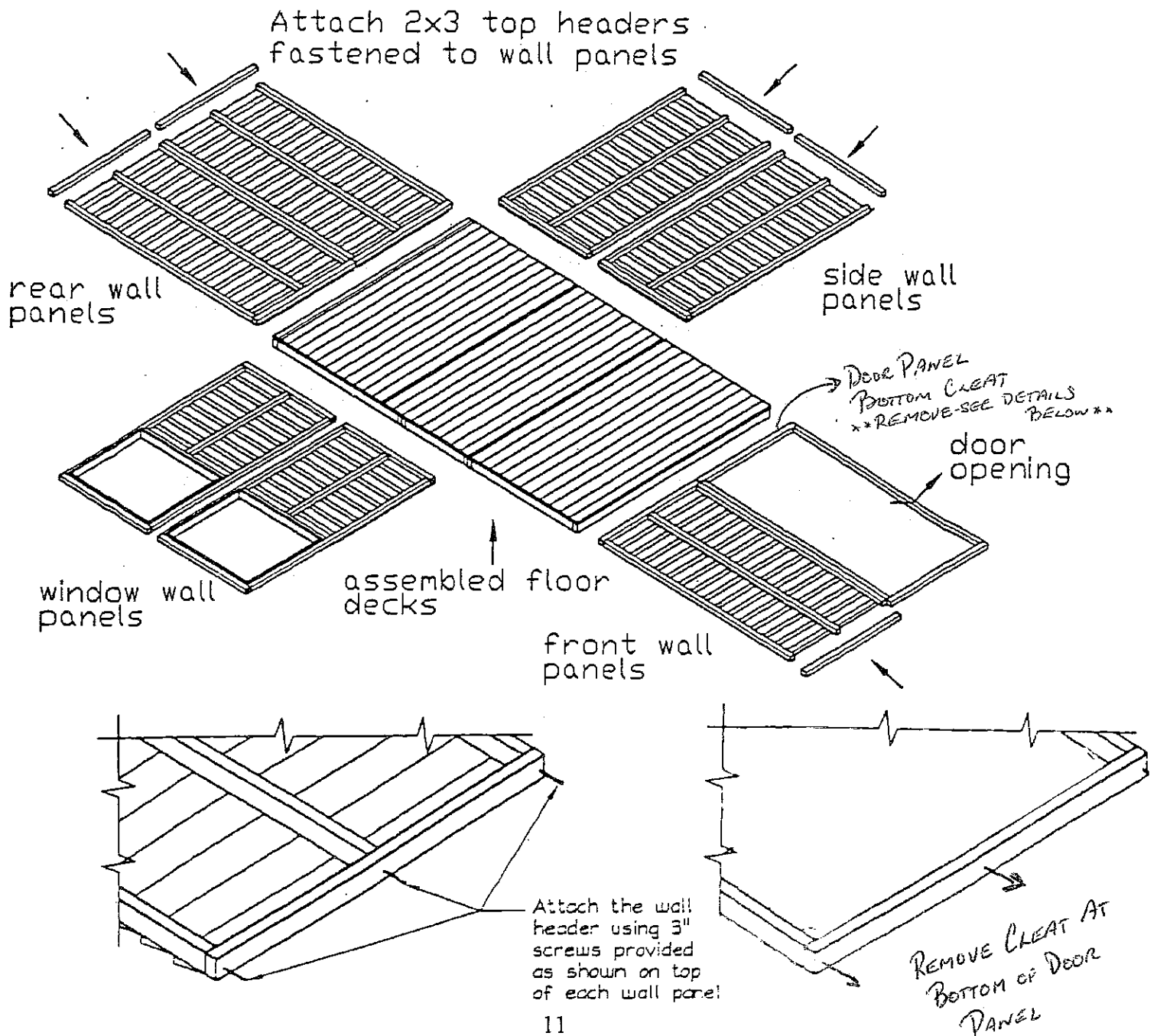
Fig. F-4

## C. WALL ASSEMBLY

The wall assembly comes in eight pre-assembled panels. Five of these panels are solid, two are window panels and one is the door panel (as shown below).

The window wall and sidewall panels are interchangeable (so you have the option of where to place the window wall panels). Make certain the panels are in the exact place that you want them before you begin fastening them together.

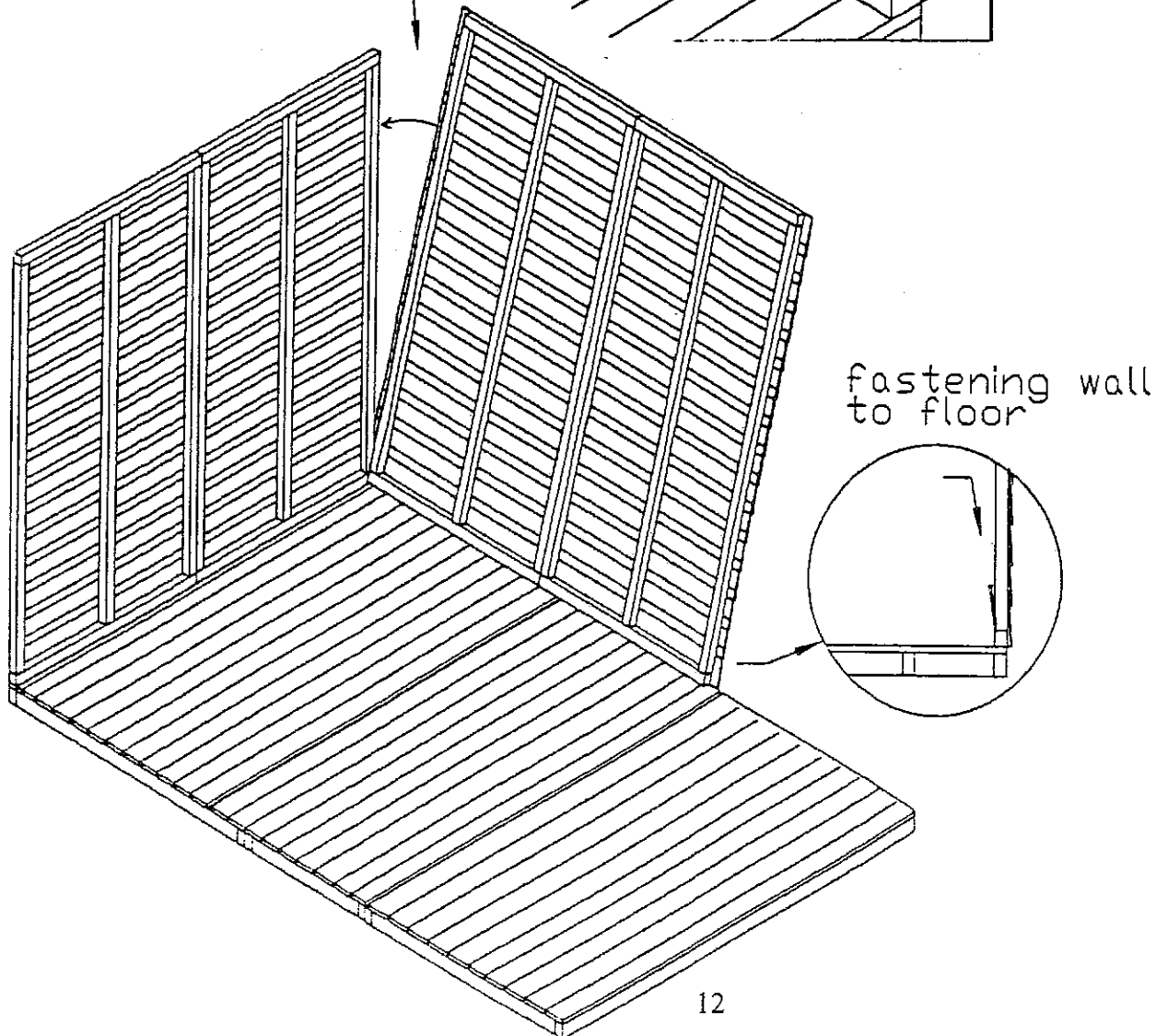
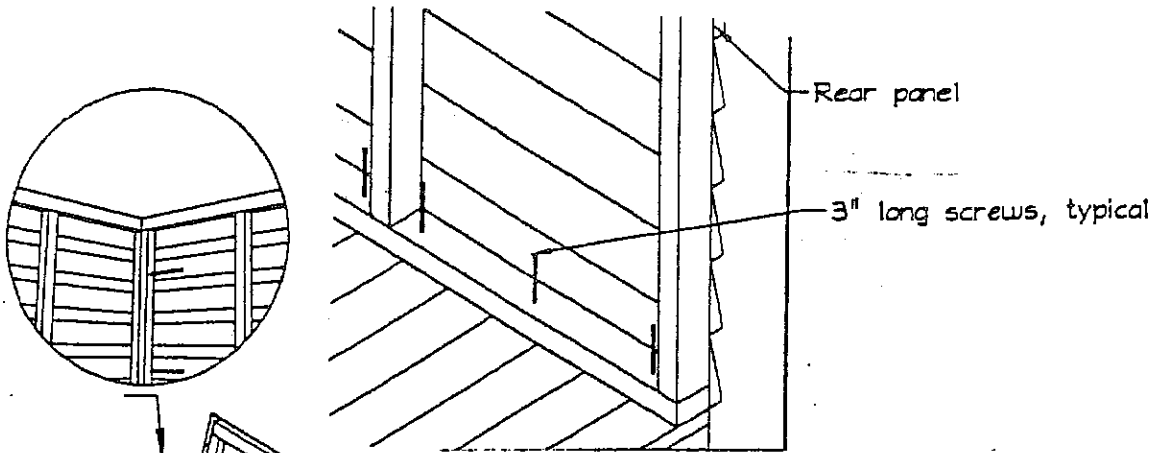
1. Lay all the panels around the floor deck, as shown below. You will be required to attach a 2x3 header to the top of all wall panels, except the panels containing a window. Use 3" screws to fasten.



2. The wall panels must be identified and attached together to form each of the building faces. You will do this by laying the wall panels around the floor deck as shown below.

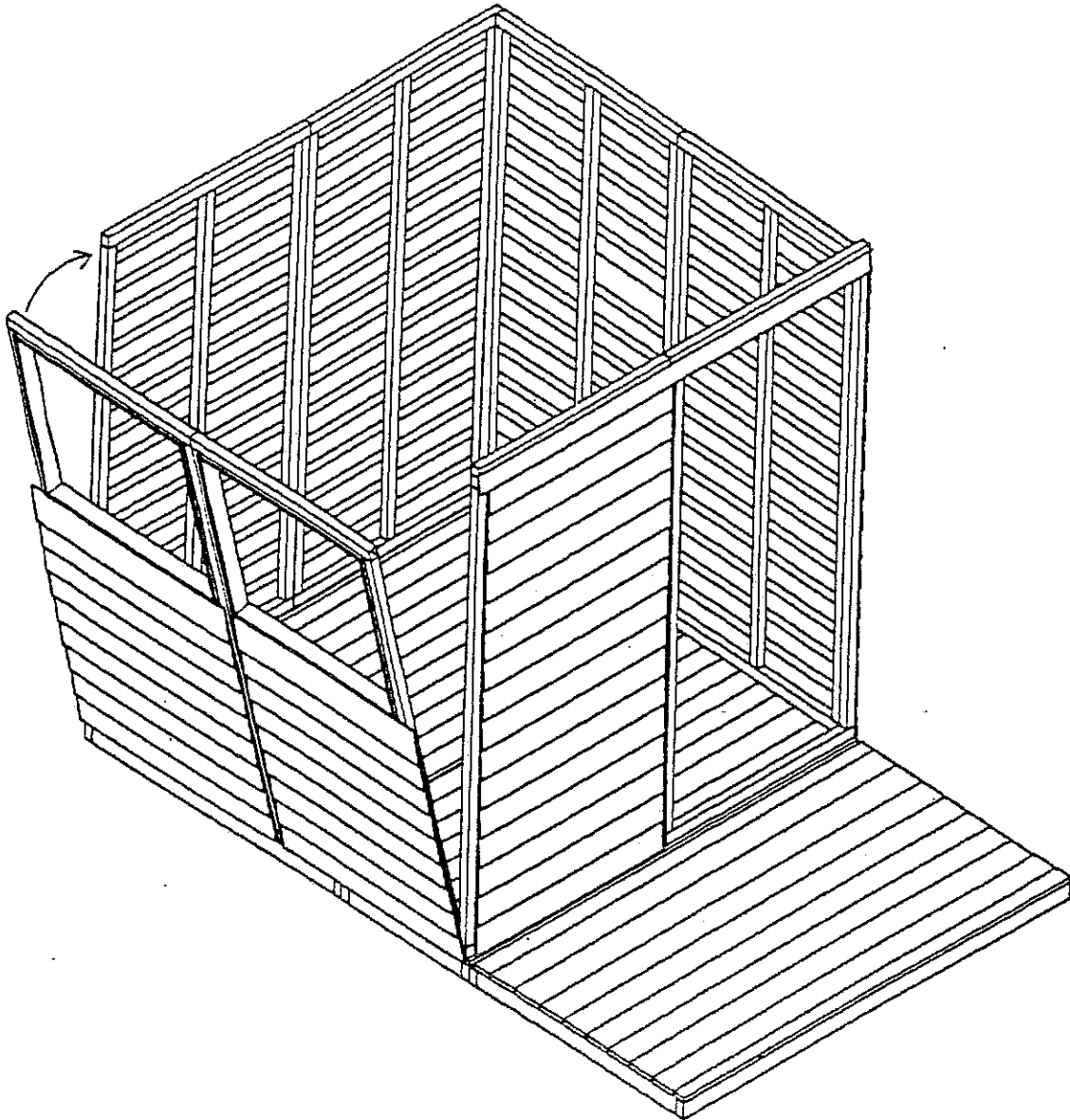
3. Identify the rear and front completed walls.

4. Now, attach the sidewall to the rear wall. The sidewall 2x3 should meet the rear wall in a butt joint, as shown in the figure below. The sidewall should be flush with the floor. Fasten 3" screws every 12 inches.

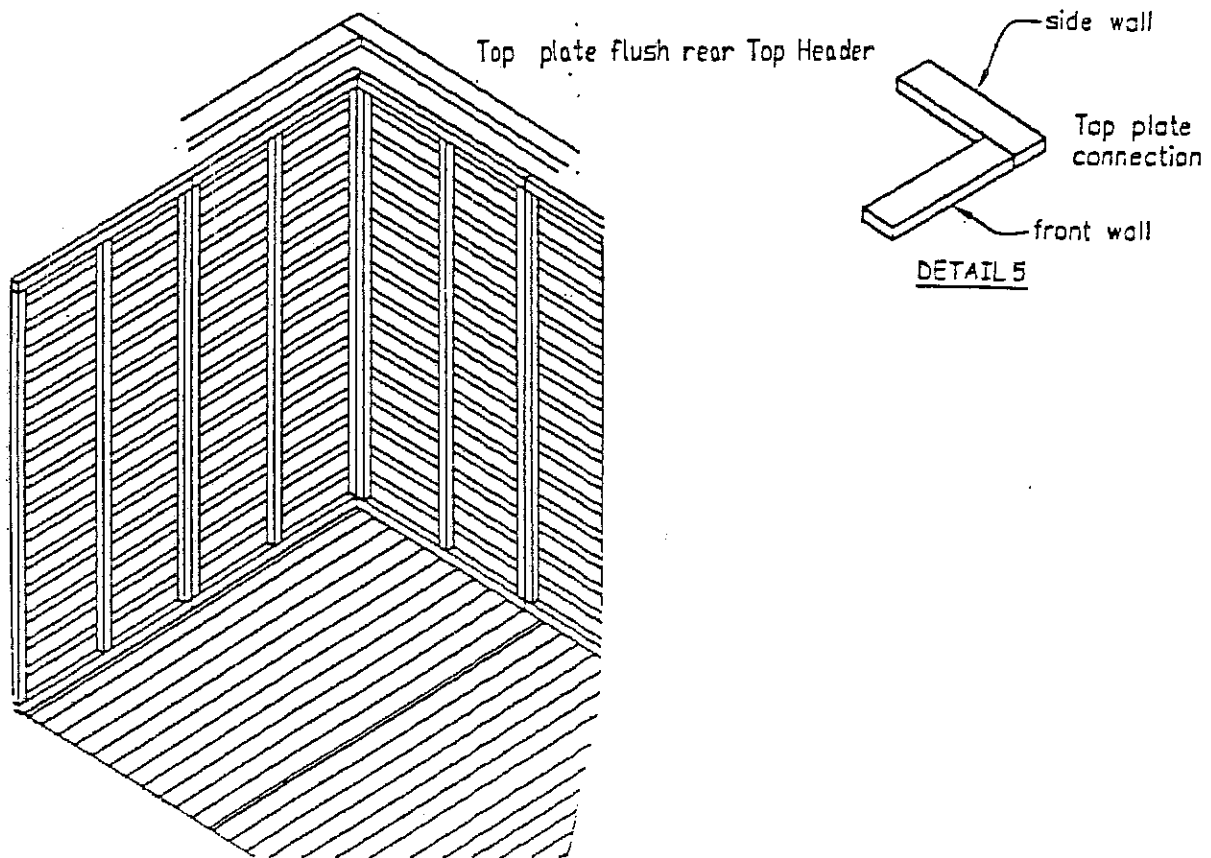


5. Continue as shown below until all walls are erected. The rear panel and side panel 2x3 should be flush with the edge of the floor.

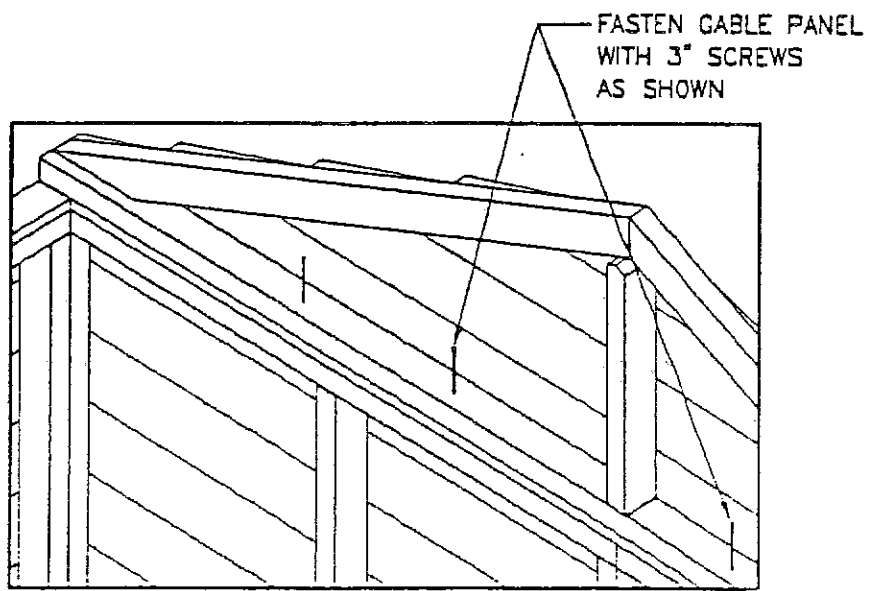
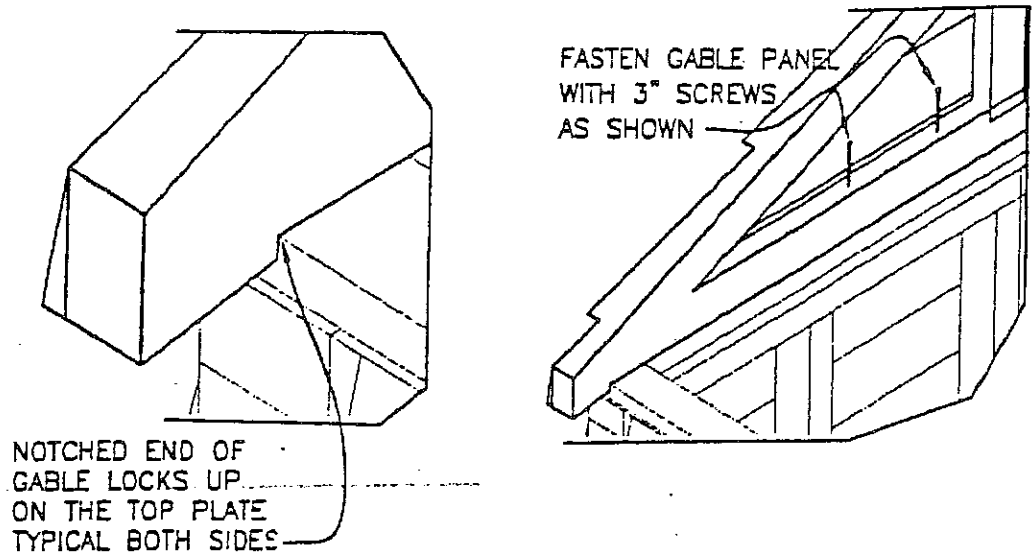
(At this time, install door framing using 3" screws. Fix door frame 2x3 stud flush with side wall 2x3 studs).



6. Starting with the sidewall, mount the 1x3 top wall plates to the header of each wall panel, as shown below, using 2" screws every 12 inches.



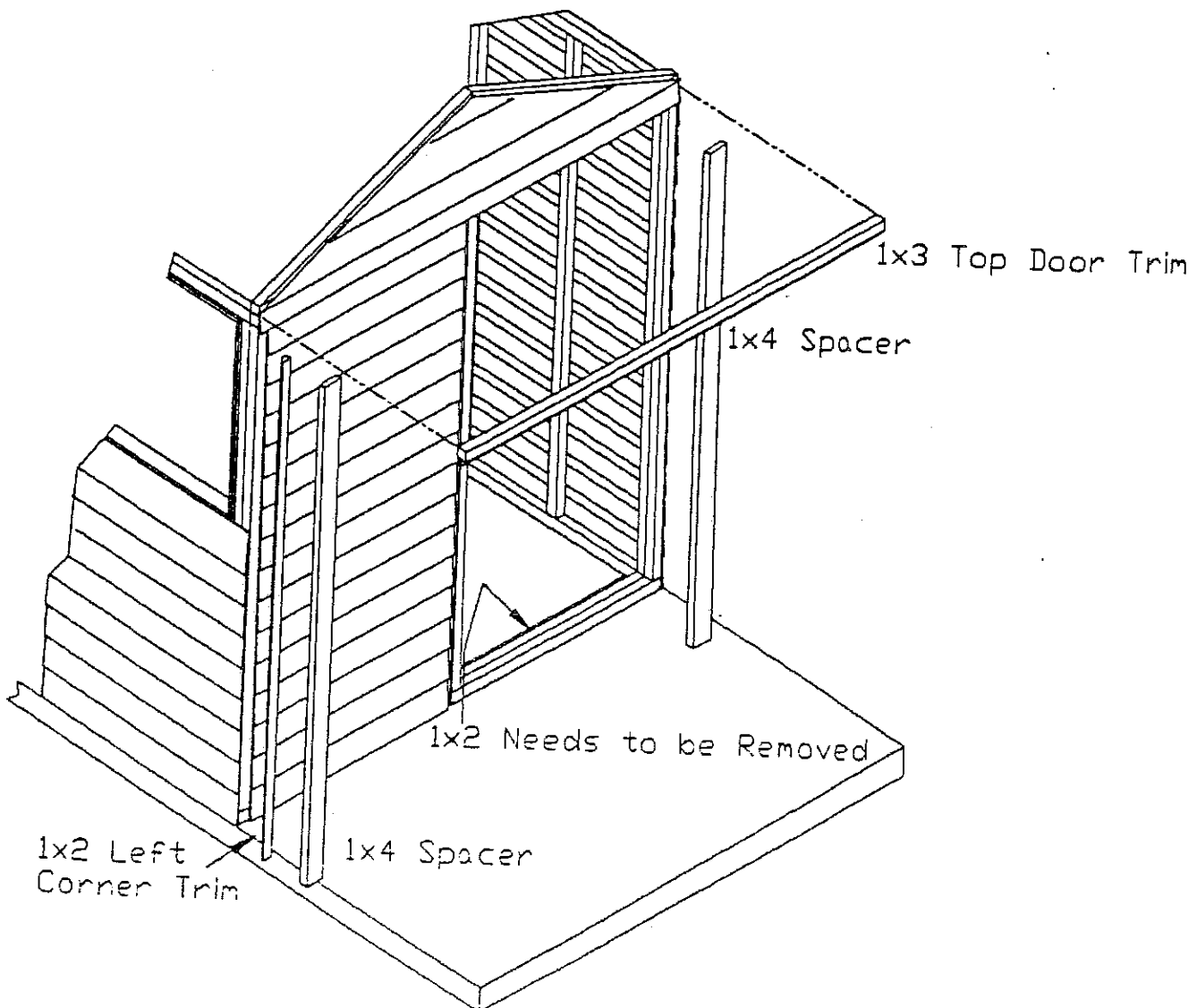
7. Position the gable walls on top of the top plates of the front and back of the Gardener's Delight. The 2x3 gable frame should sit flush on the 2x3 wall frame and 1x3 top plates. [See details below]. Use 3" screws.



## D. DOOR TRIM & TRACK ASSEMBLY

The sliding door consists of the door track and the door unit. The door unit is pre-assembled.

1. Remove bottom 1x2 cleat which is attached to door frame. Flatten/remove any staples which are sticking out.
2. Attach 1x2 corner trim on to front left sidewall. Use 1 $\frac{3}{4}$ " finishing nails every 12 inches.
3. Attach 1x3 door trim on the top of the front door frame. Use 1 $\frac{3}{4}$ " finishing nails every 12 inches.
4. Attach one of two 1x4 spacers flush with the front right corner of the door frame. Other 1x4 spacer should be mounted flush on top of left side trim. Use 1 $\frac{3}{4}$ " finishing nails every 12 inches.



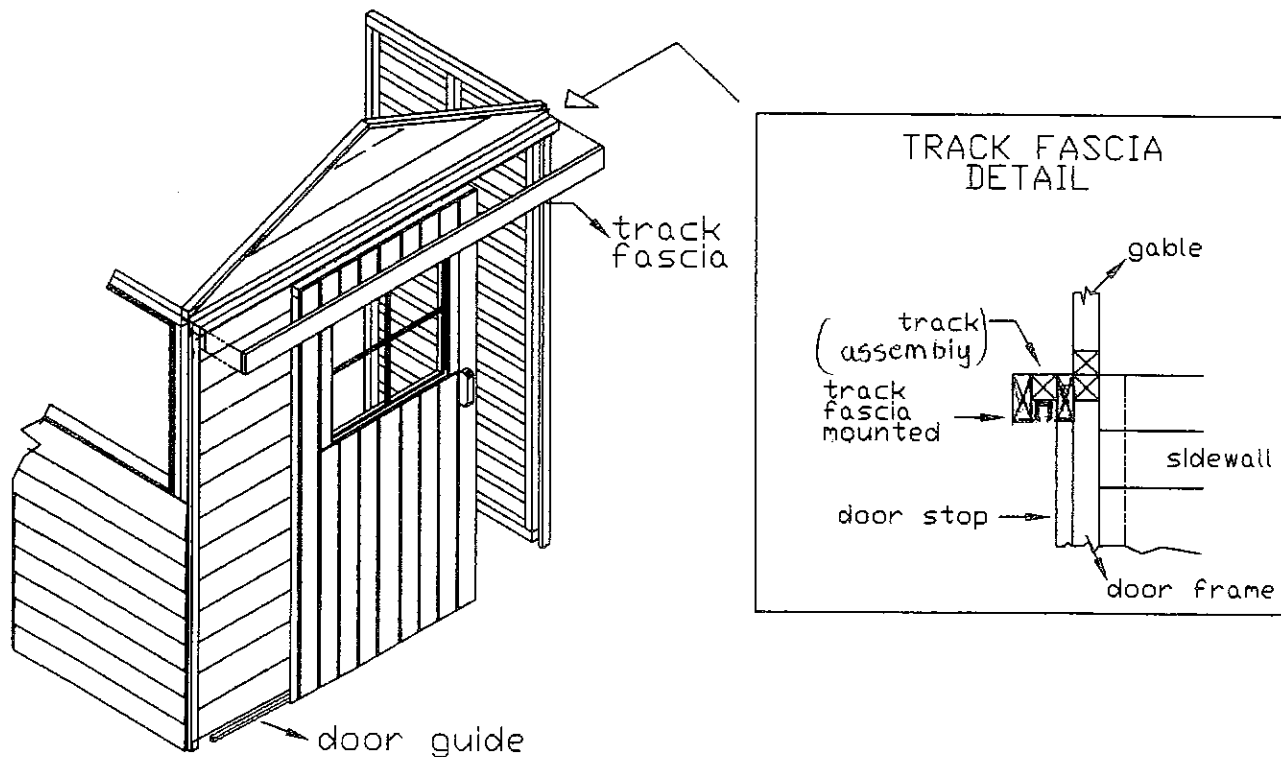
5. When Satisfied with the positioning, secure the door track assembly (door track with 2x2) to the front wall of the building using 3" screws every 12". Attach track assembly onto 1x3 top door trim. The track location is directly above the door opening as the top of the 2x2 part of the door track assembly is flush with the top of the door trim.

6. Slide the door from Right Hand Side into the door track. After both the wheel hangers are in the door track, check the space between the bottom of the door and floor to be at least 1/4". This can be adjusted by rotating the screws of the wheel hangers before sliding the door into the door track. Once you have mounted the door, it should slide effortlessly across the front of the Gardeners Delight building as shown below.

7. Attach the door guide onto the floor underneath the door. Adjust door guide so door is plum. Attach using 1 3/4" finishing nails to the floor.

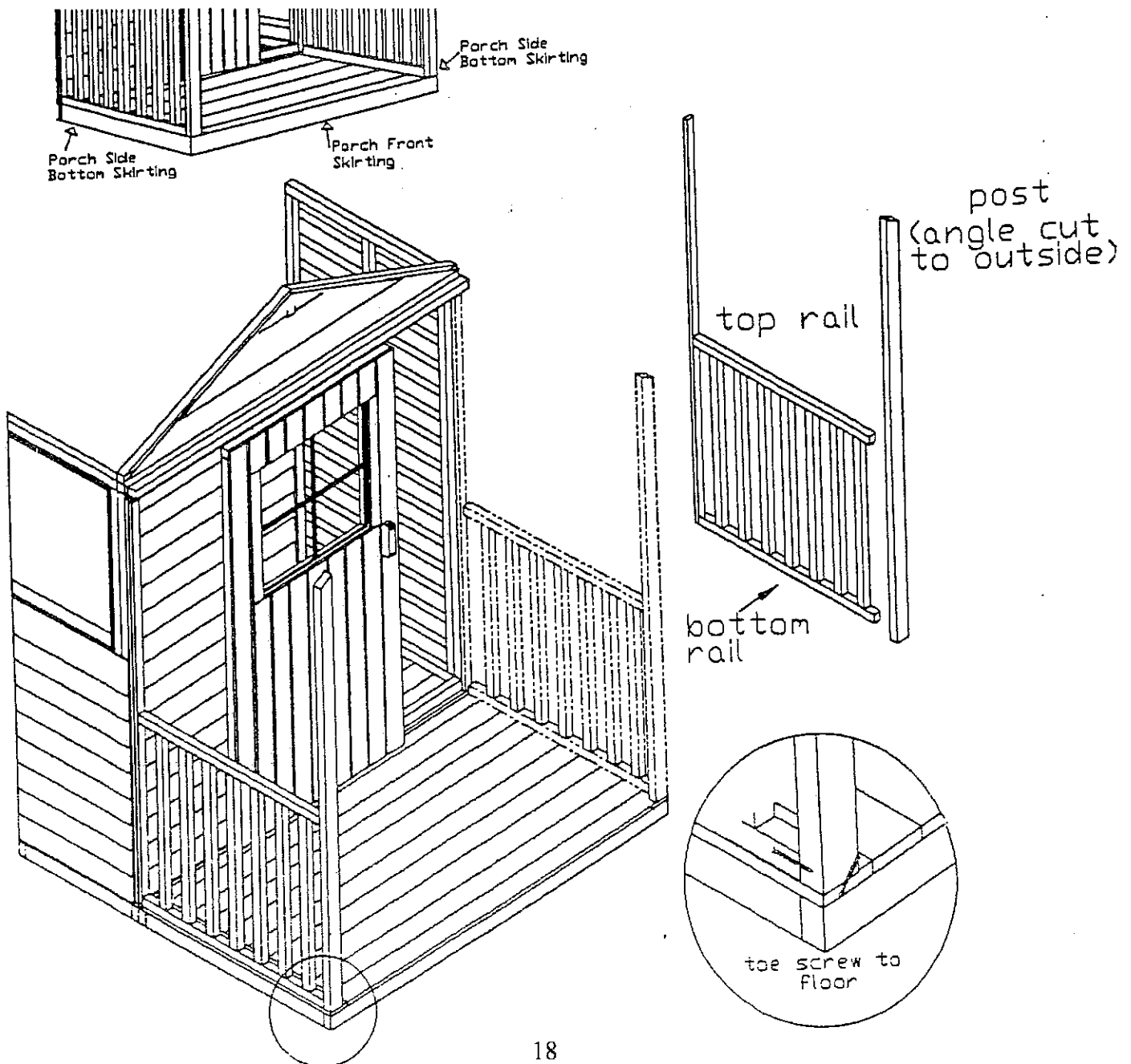
8. Cover track assembly with 1x3 fascia. Use 1 3/4" finishing nails every 12" to mount the fascia.

( Attach door hardware here or at the end of the project completion. Choose height for handle and hasp as desired)

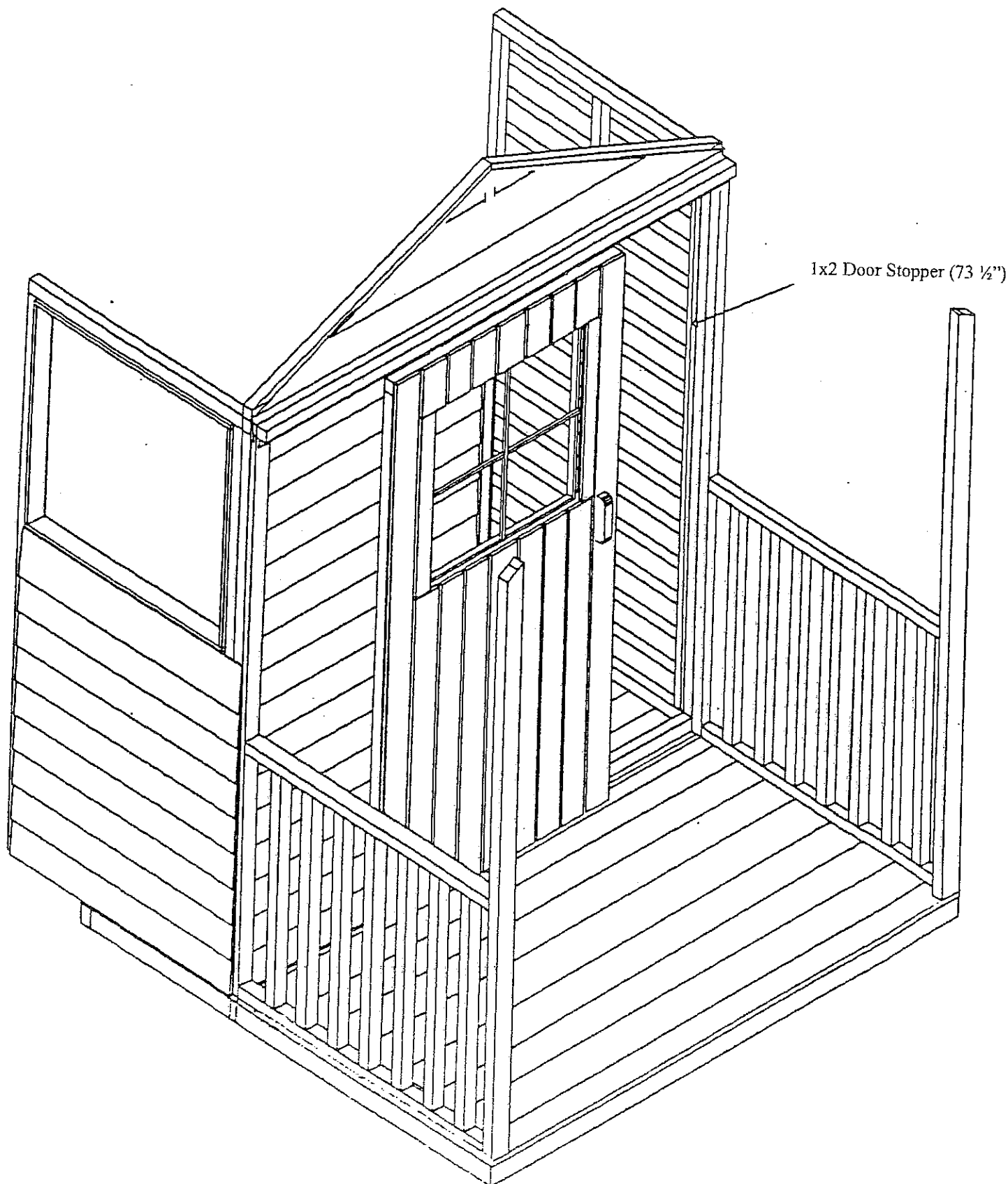


## E. PORCH ASSEMBLY

1. Attach porch front bottom skirting and porch side skirting using 1 3/4" finishing nails.
2. Attach 2x4 (angle cut post) to the top and bottom rail. Use 3" screws into top and bottom rail.
3. Screw back post to 1x4 spacer. Use 3" screws every 12 inches.
4. Attach bottom rail to floor using 3 - 3" screws.
5. Make sure 2x4 (angle cut post) lies flush with front and side porch skirting. Toe nail front post to floor.



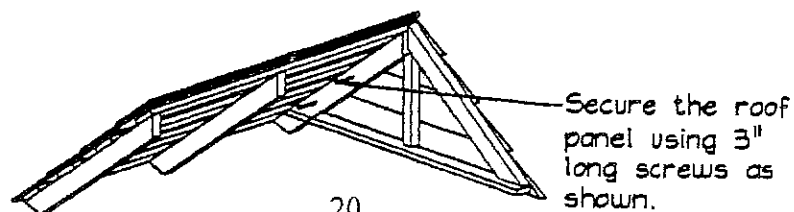
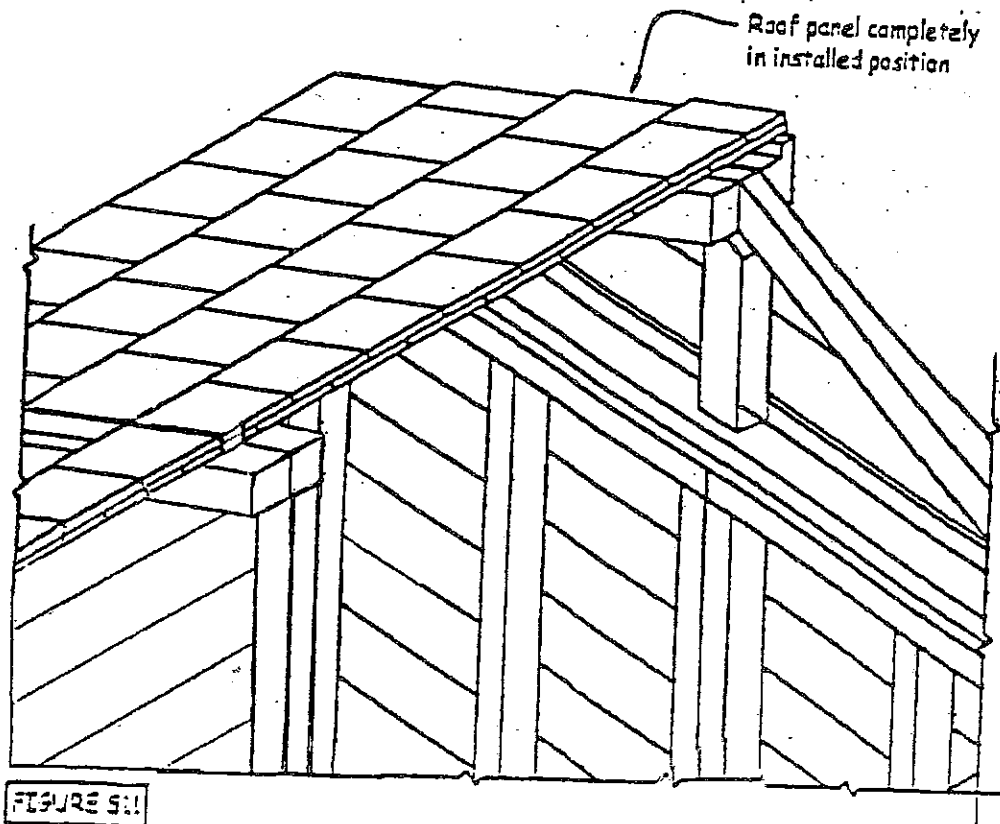
6. Attach 1x2 door stopper using 1 3/4" finishing nails. Door stopper location is typically on the inside right door frame. Nail in door stopper to whichever location suited for door.



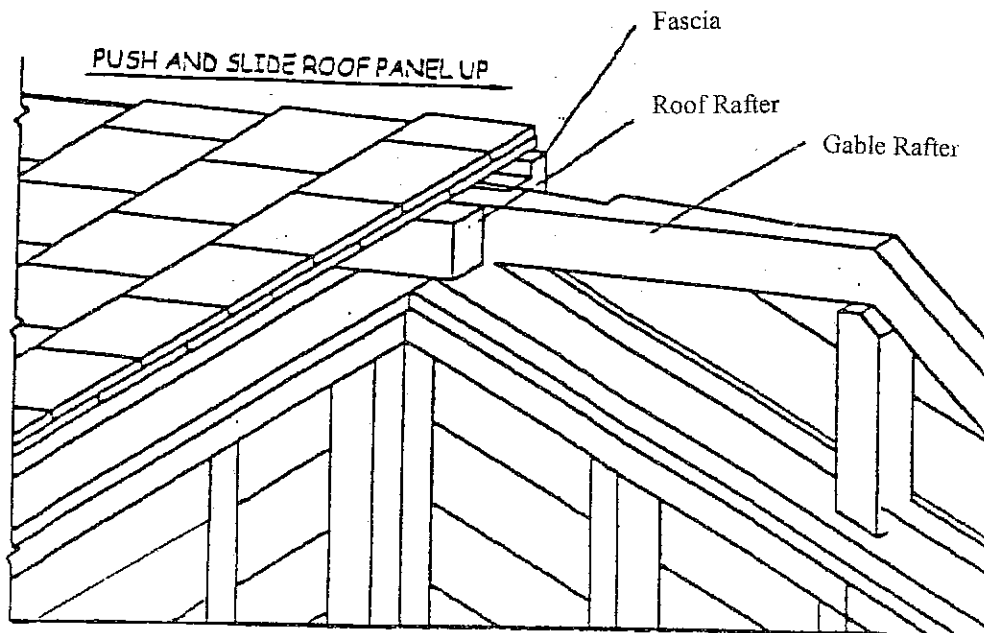
## F. ROOF ASSEMBLY

All 4 – roof panels are the same and come with pre-attached fascia boards. Lay out the roof components, making sure the fascia boards are facing outwards on each roof section. You will definitely need help with the roof panels. You also need a 6' stepladder.

1. With the help of another person hoist one of the roof panels over the installed gables. The end of the roof panel will slide alongside and up the 2x3 of the wall gable. Push the roof panel up the gable wall from the outside until it entirely covers one half of the roof. (Front side of the roof will be joined onto porch roof panel, which will help hold secure roof panels.
2. Secure the roof panel by screwing through the end of the 2x2 roof rafter into the 2x3 of the wall gable as shown in detail below. Use 3" long screws to secure the roof panels. See following pages for further details.
3. Continue installing the other roof panel the same way you did the first one.



4. Position the other roof panel in the same fashion. The roof for the porch will fit on the gable and the front post. The fascia on the roof panels should align so that the roof is lined up correctly. Fasten the posts to the roof assembly by placing a screw through the inside of the rafter into the post.
5. After the roof is aligned, completely attach the roof to the Gardener's Delight building using 3" screws.
6. Screw the end rafters into gable rafter to secure roof panels using 3" screws. Screw through the top plate into the center roof rafters on each sidewall using 3" screws. (See figure S12).
7. Align porch post and screw porch post into roof rafter. (See figure S15)



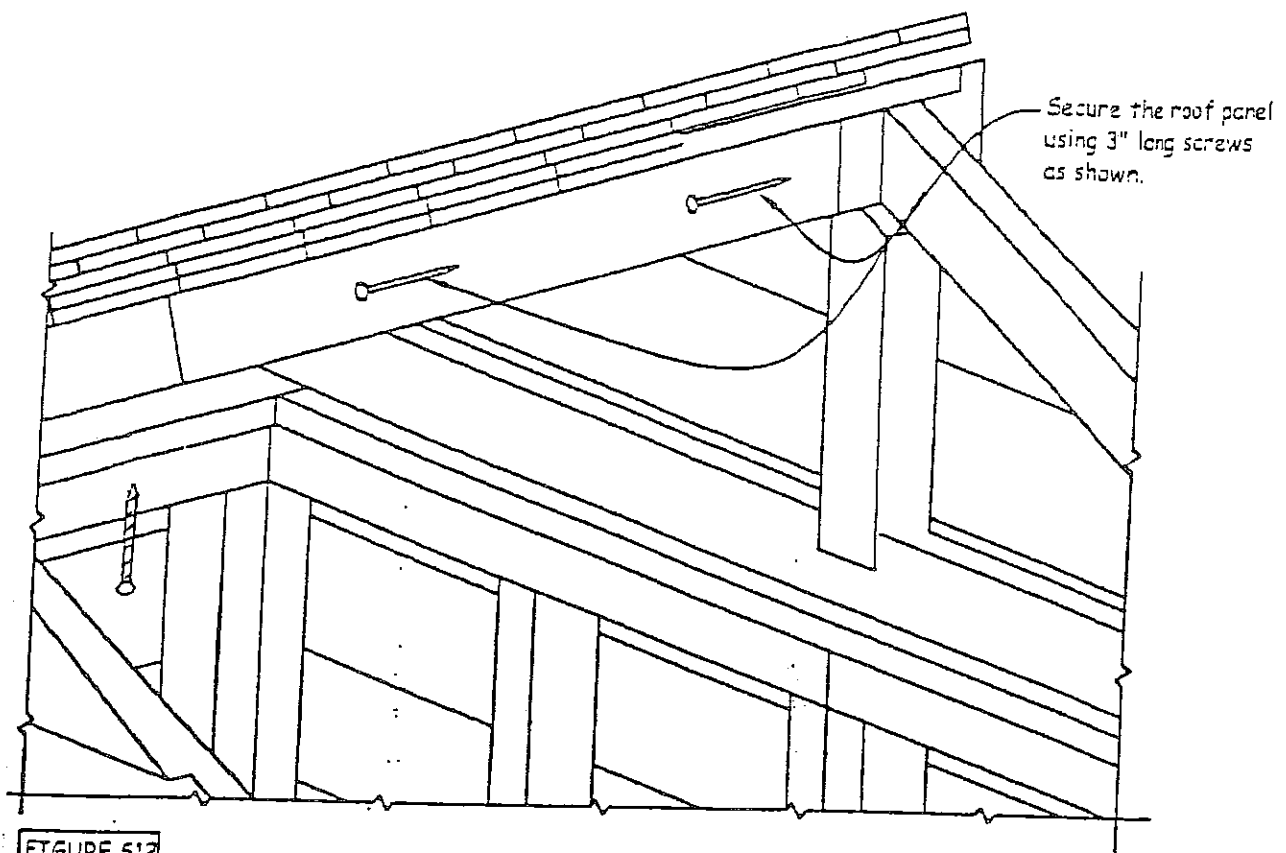


FIGURE S12

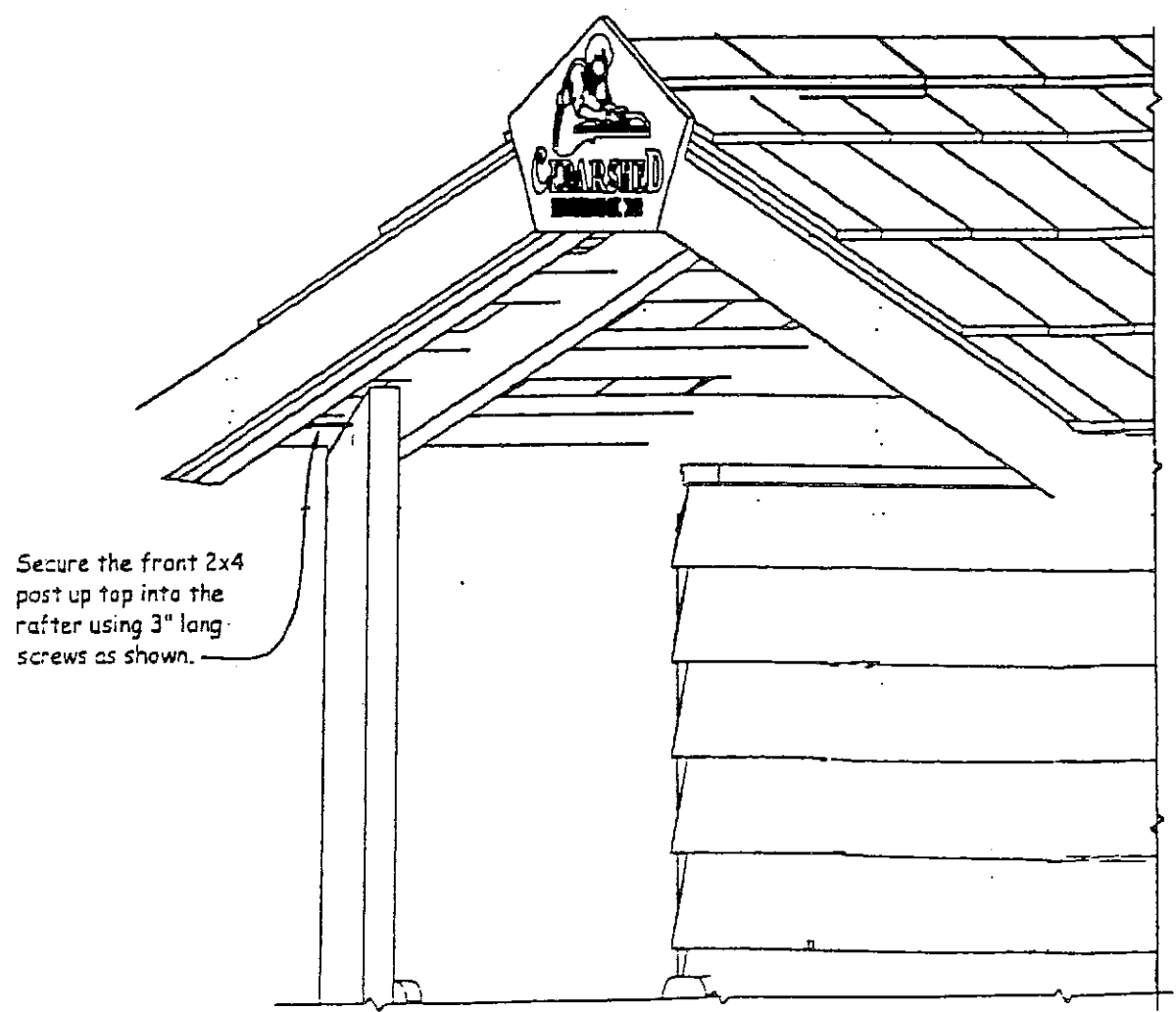
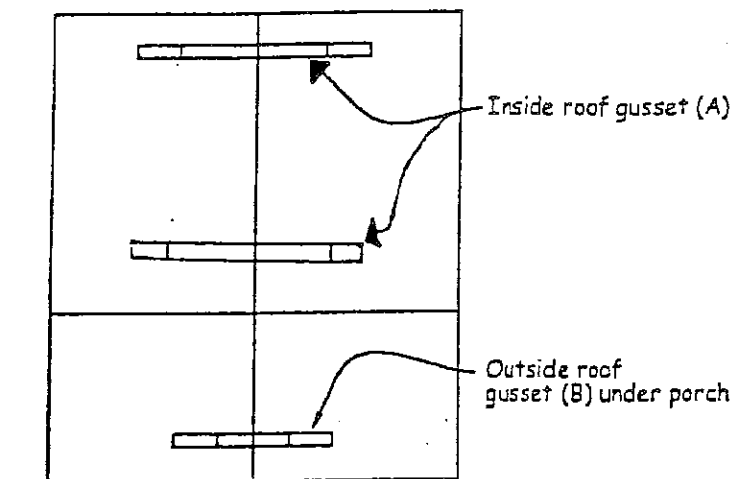


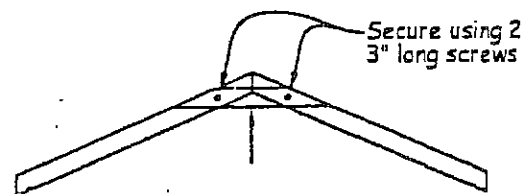
FIGURE S15

8. From the inside, strengthen the roof peak with the gusset pieces. Place screws at the angle cut of each gusset, up into the rafter. You may want your helper to assist by placing a level on the underside of the gusset, to ensure a proper position, while you fasten the pieces. Screw the long gusset to center of the roof rafter using 4 - 3" long screws.

9. Attach the porch gusset to the roof by placing it flush against the 2x3 of the roof panel. Secure using 2 - 3" screws. See Figure S16 and Figure 17 on the next page.

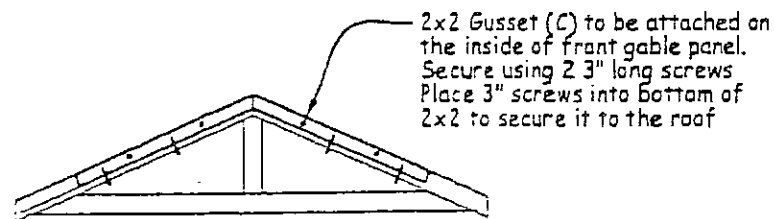


Plan View

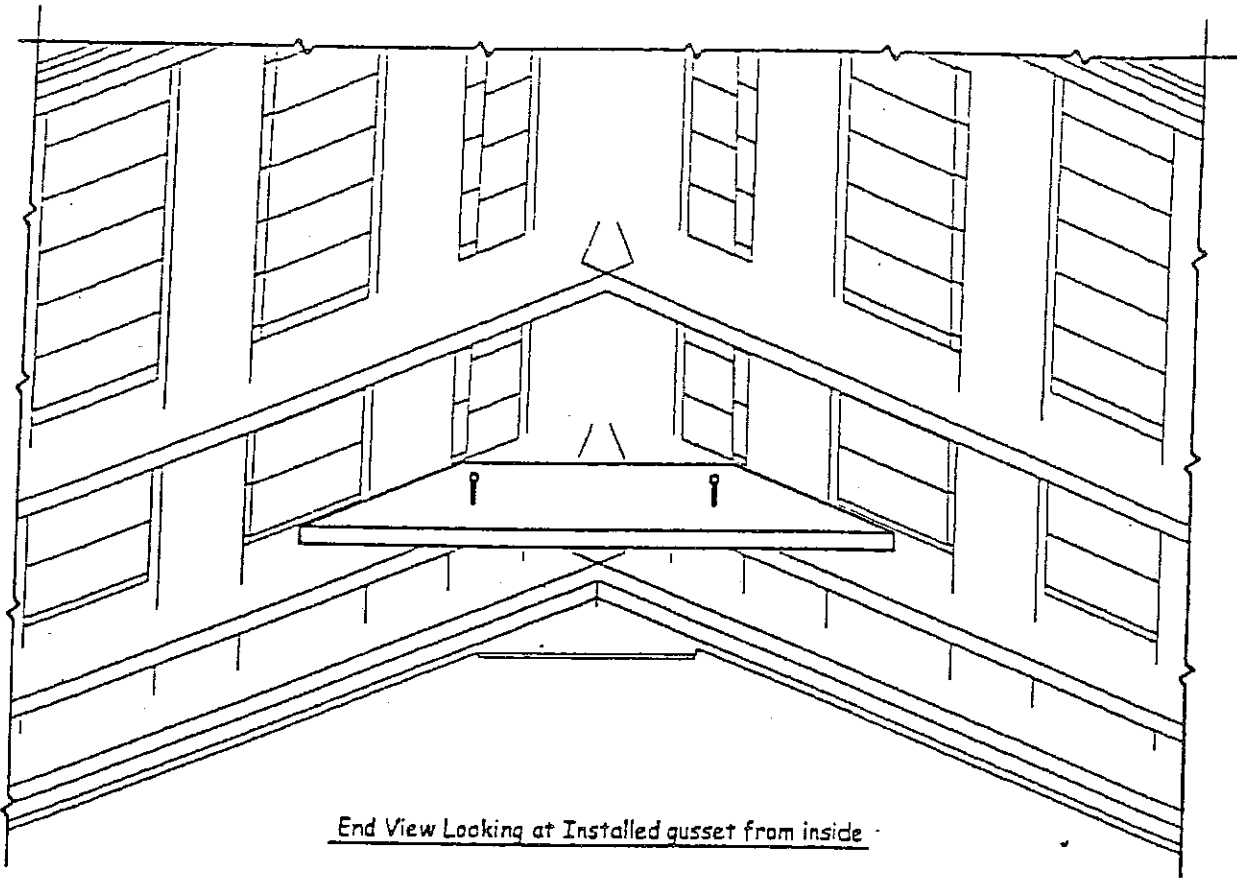


End View Looking at Installed gusset

**FIGURE S16**



End View of Front gable



End View Looking at Installed gusset from inside

FIGURE S17

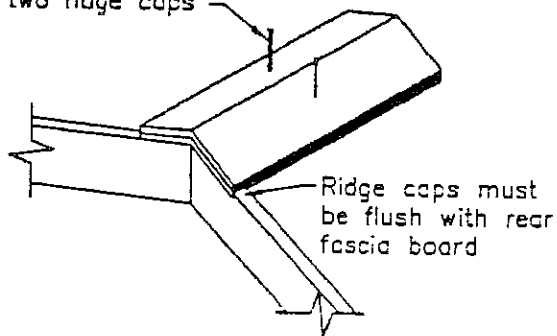
## ROOFING FELT

- Before attaching the roof ridge caps, you need to first place roofing felt over the seam between the shingles of the roof panels. The roll of roofing felt is 1' wide. Cut the roofing felt lengthwise into three 4" wide strips. Place these strips end to end over the length of the seam between the roof panels, attaching it to the shingles with 1" nails.
- You are now ready to place the ridge caps on the roof of the Rancher.

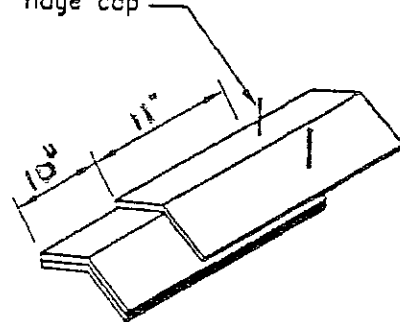
## RIDGE CAP

- The ridge caps are placed over and cover the seam between the shingles of the roof panels. Ridge caps are installed from the rear of the shed proceeding towards the front of the shed. Using 2" roof nails, fasten the first ridge cap to the shingles, as it lies flush with the rear fascia. For the first ridge cap, place 4" nails down from the rear fascia, with one 2" nail on both the left and right sides of the ridge cap into the shingles.
- Place a second ridge cap on top of the first ridge cap and put nails at 11" from the rear edge of the second ridge cap.
- Continue to install subsequent ridge caps at 10" back of the front edge of the previous ridge cap. Complete the remainder of the ridge cap assembly over the roof seam. It may be necessary to cut the last ridge cap to size with a hand saw.

Nail down first  
two ridge caps



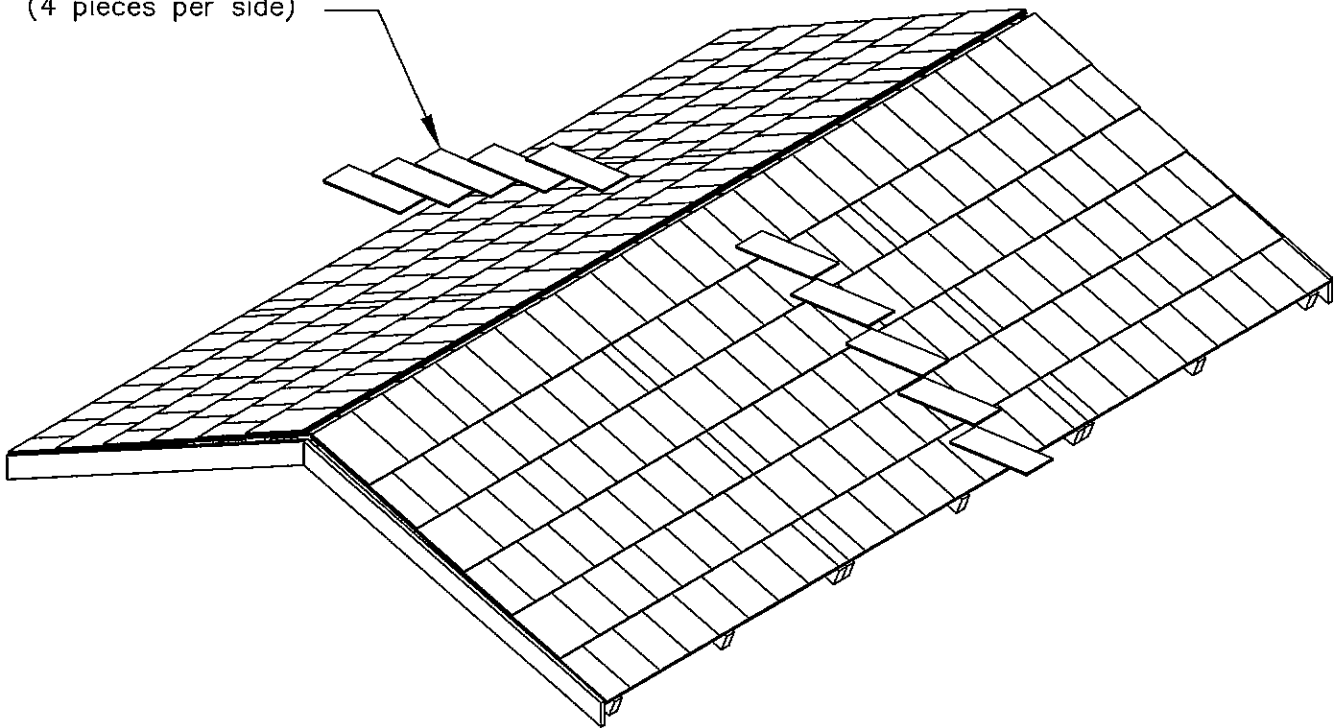
Continue nailing ridge  
caps at 11" back of  
the last installed  
ridge cap



## ROOFING DETAILS

Starting at the bottom of the roof panel, slide one piece of flashing under the shingle until it is completely hidden. Make sure the brown coloured side up facing up when installing the metal flashing. Make sure the flashing is centred over the roof seam. Continue until all four pieces per side have been installed. The last piece will reach the roof ridge as shown below.

3" x 12" Metal flashing  
under under roof shingles  
(4 pieces per side)

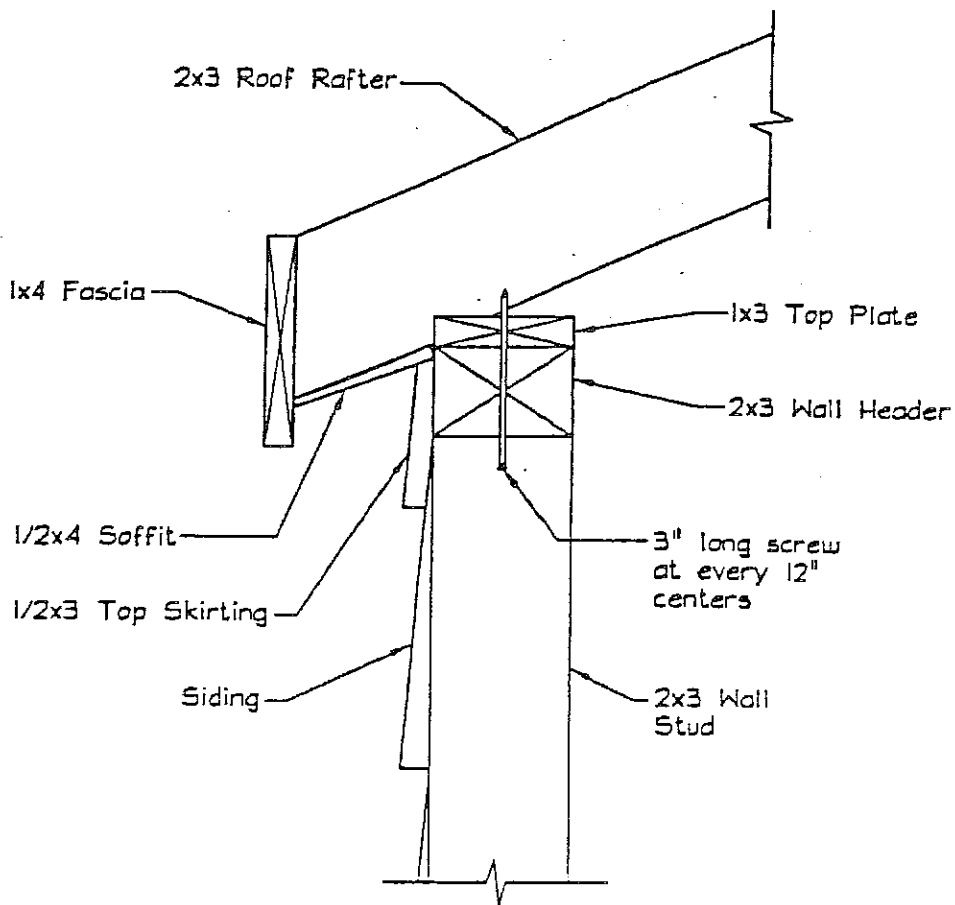


## G. PROJECT COMPLETION

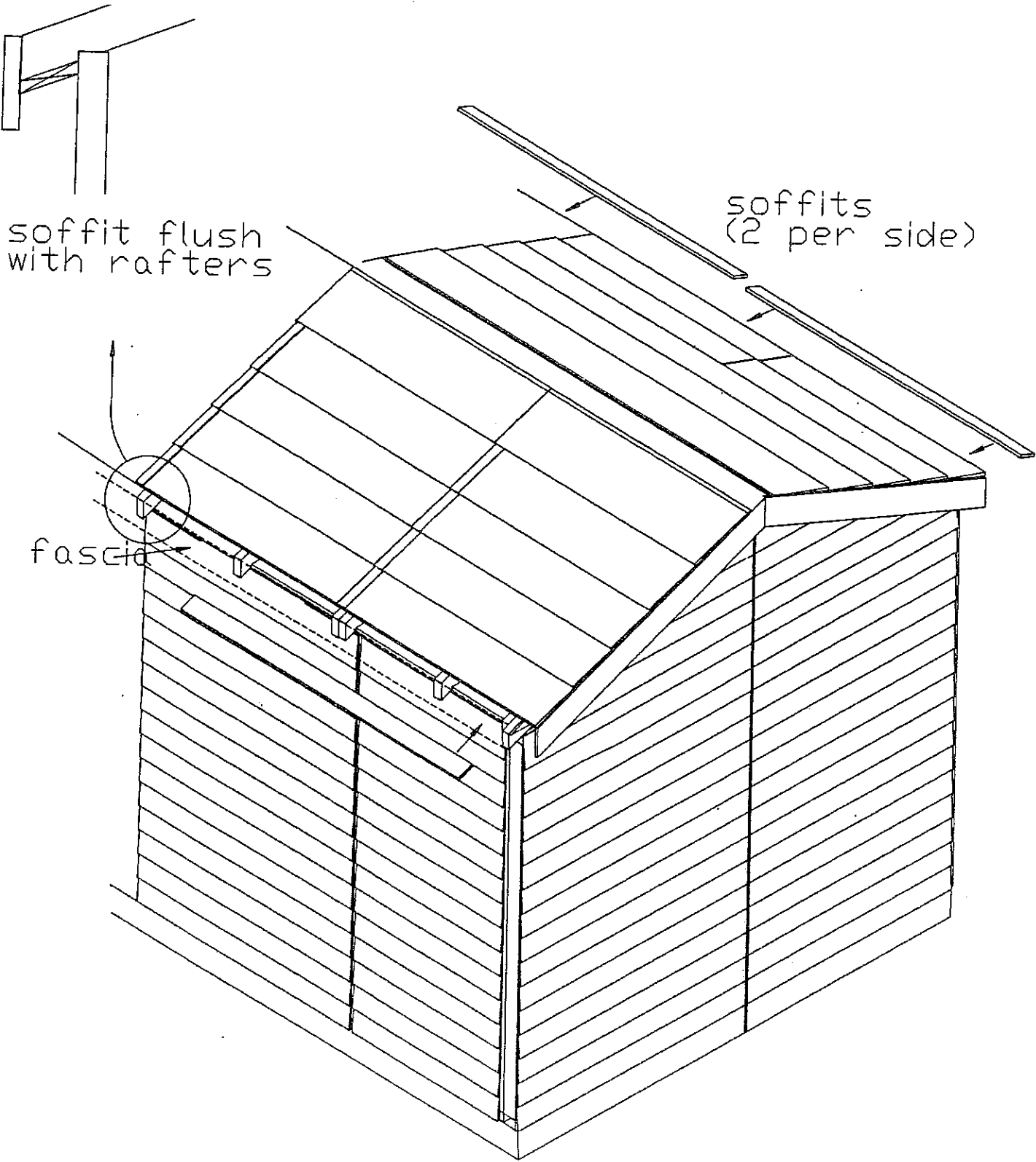
The following steps briefly show how the fascia, top/bottom skirting, soffits, corner boards and trims are attached:

- 1<sup>st</sup> attach soffits.
- 2<sup>nd</sup> attach top skirting
- 3<sup>rd</sup> attach corner boards and trims.
- 4<sup>th</sup> attach fascia.
- 5<sup>th</sup> attach bottom skirting.

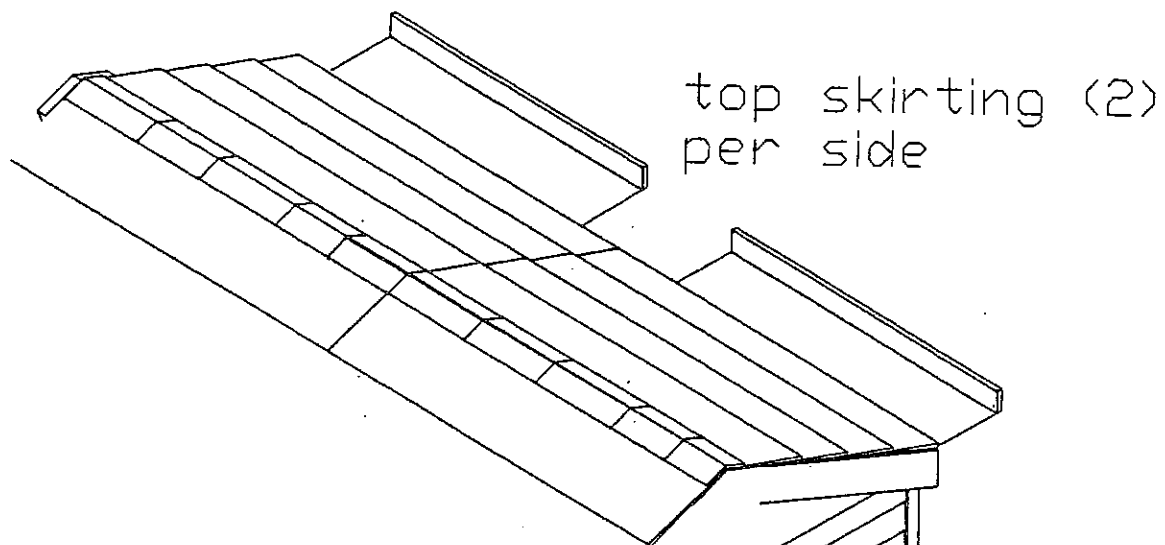
(Detailed diagrams on following pages)



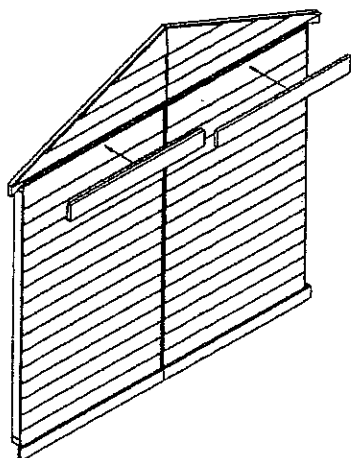
1. Insert the soffits. There are 2 soffits per side, and they fasten directly onto the underside of the rafters. There is a long and a short soffit per side.



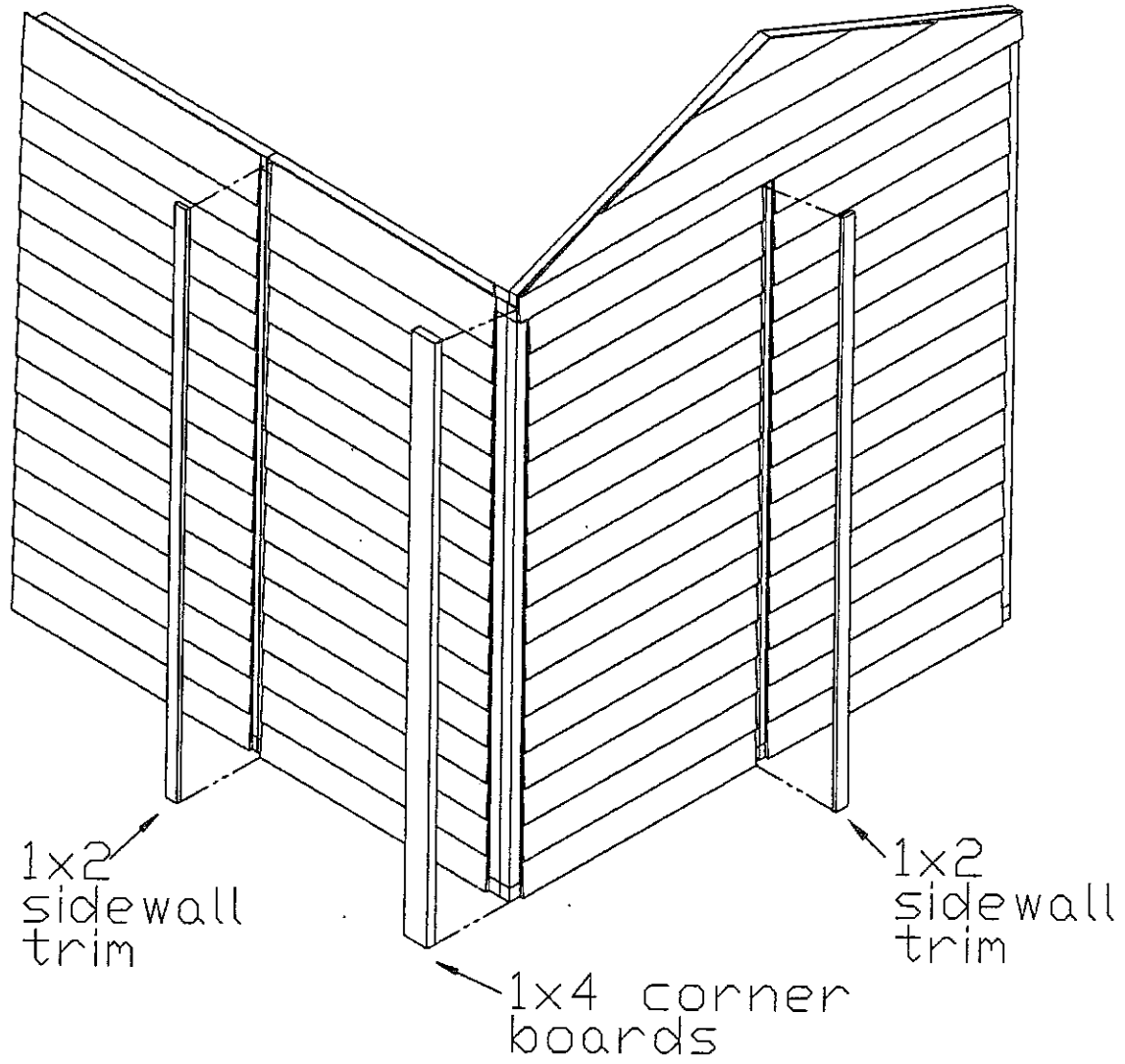
2. Place top skirting pieces, two per gable ends, over the joint connection using 1 3/4" finishing nails. There are 2 (1/2 x 4 1/2) pieces of back skirting and 4 (1/2 x 3) pieces of the side skirting.



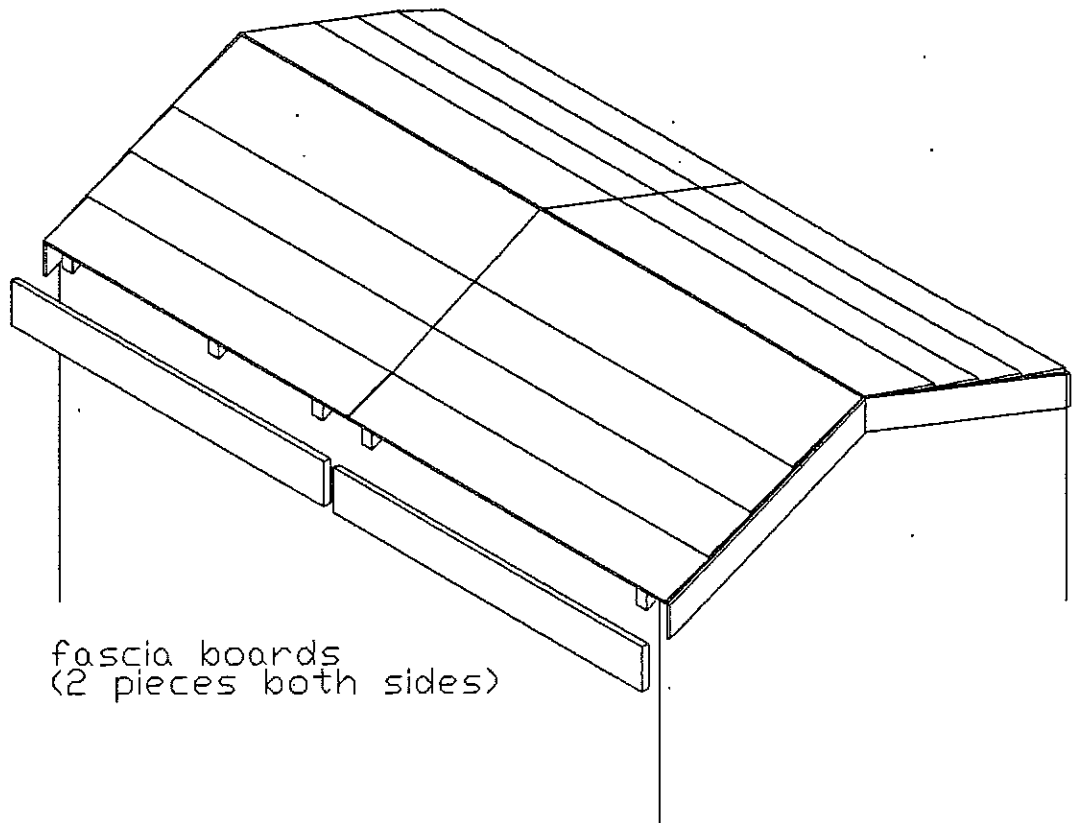
note: install back top skirting (2) in same manner as side wall skirting



3. Attach corner trims and corner boards using 1 3/4" finishing nails.



4. Attach fascia boards to the rafter ends using 1 3/4" finishing nails. There are 4 (1x4) pieces of fascia.



## INSTALLING SKIRTING (TOP)

Carefully pry the bevel piece at the bottom of the wall panel above (either gable or infill wall panel). Do not use too much force as this could cause the bevel siding to break. See Fig SKT-01 for details.

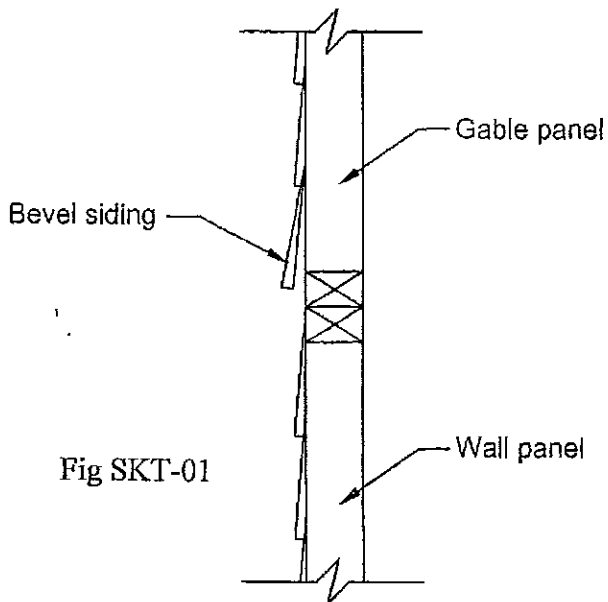


Fig SKT-01

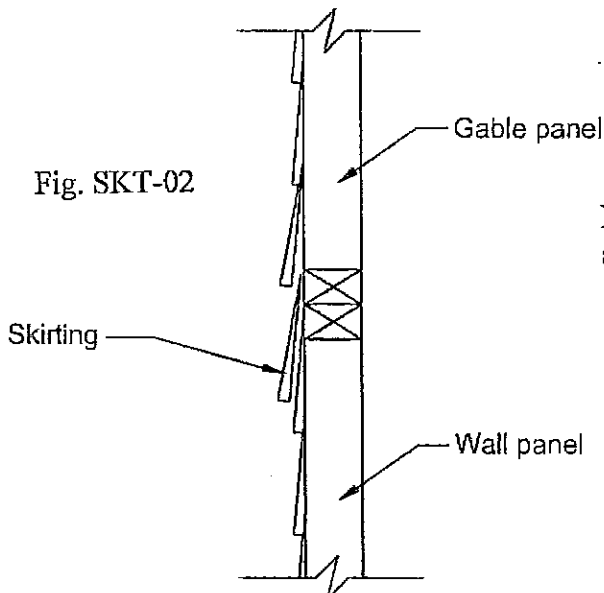


Fig. SKT-02

Now slide the skirting piece under the pried bevel piece as shown in Fig SKT-02.

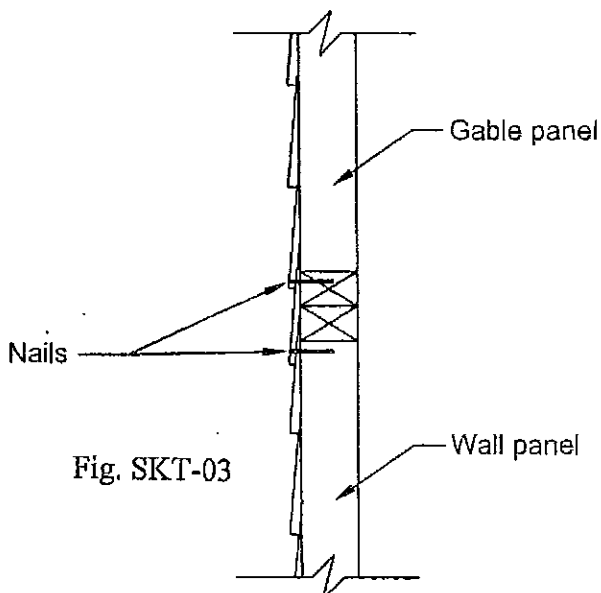


Fig. SKT-03

Using 6-1 3/4" finishing nails, affix the skirting piece into place as per Fig SKT-03.



1 3/4"  
Finishing  
Nail

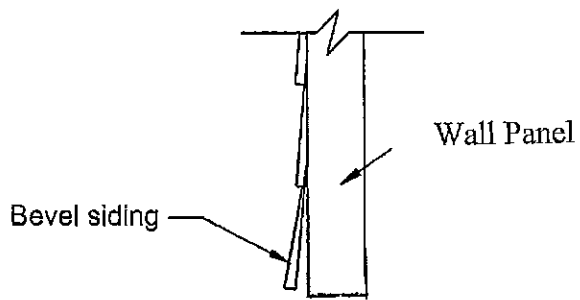


Fig. SKB-01

## INSTALLING SKIRTING (BOTTOM)

Carefully, pry the bevel piece at the bottom of the wall panel. Do not use too much force as this could cause the bevel siding to break. See Fig. SKB-01 for details.

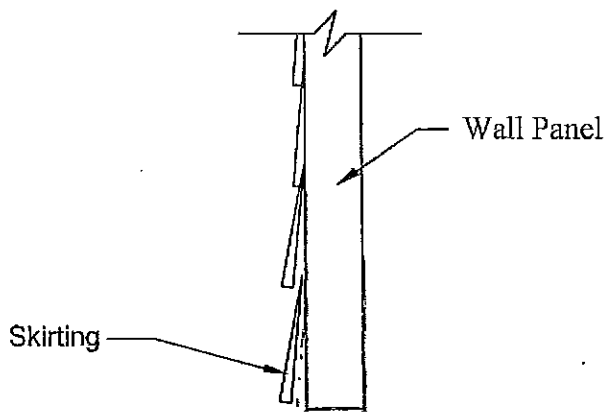


Fig. SKB-02

Now slide the skirting piece under the pried bevel piece as shown in Fig SKB-02.

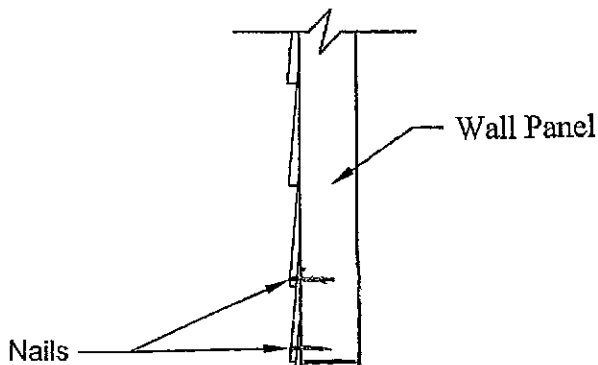


Fig. SKB-03

Using 6-1 3/4" finishing nails, affix the skirting piece into place as per Fig SKB-03.



1 3/4"  
Finishing  
Nail

## CONGRATUALATIONS

You have successfully completed the construction of your Gardener's Delight. Thank you for choosing a CEDARSHED product. We hope that your entire experience was a rewarding one and that you and your family will have years of enjoyment with our product.

As mentioned in the questionnaire (included inside the unit packaging along with the checklist of parts), by completing our questionnaire and mailing a picture of your completed Cedarshed product, we will send you a personalized plaque free of charge that you can mount on your structure (max. 36 letters). Don't forget to enter our Best Picture Contest. Also see Questionnaire for details.

Please refer to the questionnaire or call Cedarshed if you require additional information.

***TOLL FREE CUSTOMER SUPPORT: 1 800 830 8033***

E-MAIL: [sales@cedarshed.com](mailto:sales@cedarshed.com) Visit our Website: [www.cedarshed.com](http://www.cedarshed.com)

### Mailing Address:

*In Canada:*

**CEDARSHED INDUSTRIES**  
9770 - 199A Street  
Langley, B.C. V1M 2X7  
Canada

*In USA:*

**CEDARSHED INDUSTRIES**  
P.O. Box 2189  
Blaine, WA 98231  
USA

