

# GARDENER'S HUTCH PANELIZED GARDEN BUILDING

---

## INSTRUCTIONAL MANUAL

Cedarshed Industries (1992) Inc.  
9770 - 199 A Street  
Langley, B.C. V1M 2X7  
Canada



## GARDENER'S HUTCH

### A FEW WORDS ABOUT THE CARE

Your Cedarshed Gardener's Hutch is made of Western Red Cedar lumber, a beautiful and durable outdoor wood that will enhance your leisure space and your property, and provide years of enjoyable use.

Natural, unfinished Western Red Cedar, when exposed to the elements, will weather to a beautiful silvery grey. If you prefer to maintain the natural tones of Western Red Cedar, please ask your Authorized Cedarshed Dealer to recommend a quality stain, which is best applied after assembly:

You may also notice occasional coloured chalk or crayon markings on parts of the wood. These markings can be removed with a damp cloth or a very fine sandpaper.

When we package your Gardener's Hutch for shipping, it is wrapped in an environmentally friendly paper product, and held in place by staples. Be sure that all the staples are removed – a pair of pliers may be necessary.

#### **NOTE:**

Assembly of the Gardener's Hutch will require the use of power tools and certain applications will require a ladder. Please take precautions at all times.

The customer agrees to hold Cedarshed Industries (1992) Inc. (Cedarshed) and any of our Authorized Dealers free of liability due to improper installation, maintenance and repair of any Cedarshed products.

Obtaining necessary municipal/county/state (whichever necessary) permits is the sole responsibility of the purchaser.

Please see our website at [www.cedarshed.com](http://www.cedarshed.com) for additional safety points and other considerations to promote safe and enjoyable usage of your new Gardener's Delight for many years to come.

## UNPACKING

To Confirm you have received all parts, sort pieces according to usage. Call or e-mail us immediately if you are missing any parts and we will courier any part(s) within seven (7) days, free of charge.

Toll Free Customer Support Line: 1 800 830 8033

Email: [Sales@cedarshed.com](mailto:Sales@cedarshed.com)

- 1 FLOOR PANEL
- 1 LEFT SIDEWALL PANEL
- 1 RIGHT SIDEWALL PANEL
- 1 LEFT BACKWALL PANEL
- 1 RIGHT BACKWALL PANEL
- 2 DOORS (LEFT/RIGHT)
- 1 ROOF PANEL (pre-assembled)
- 2 DOOR STOPS
- 1 ROOF TRIM
- 1 SHELF WALL
- 2 SHELVES
- 2 SELF SUPPORT
- 2 DOOR TRIM PIECES
- 3 BACK WALL TRIM PIECES
- 3 BASE TRIM PIECES
- 1 HARDWARE PACKAGE
- 4 DOOR HINGES

## PRE-ASSEMBLED COMPONENTS

Your Gardener's Hutch has been shipped from the factory in pre-assembled panels to assist you in ease of construction.

## TOOLS REQUIRED

- 6' Step Ladder
- Hammer(s)
- Electric power drill(s) or cordless drill(s) [with extra batteries] and appropriate screw head bit
- Carpenter's level
- Measuring Tape
- 1/8" Drill Bit
- Garden shovel [for site work]

## FLOOR ASSEMBLY

1. Unpack the floor panel and place it on level ground.
2. Now is a good time to prepare your site and level the floor. Determine the finished position of the Hutch now to save you the difficulty of moving the finished project later.

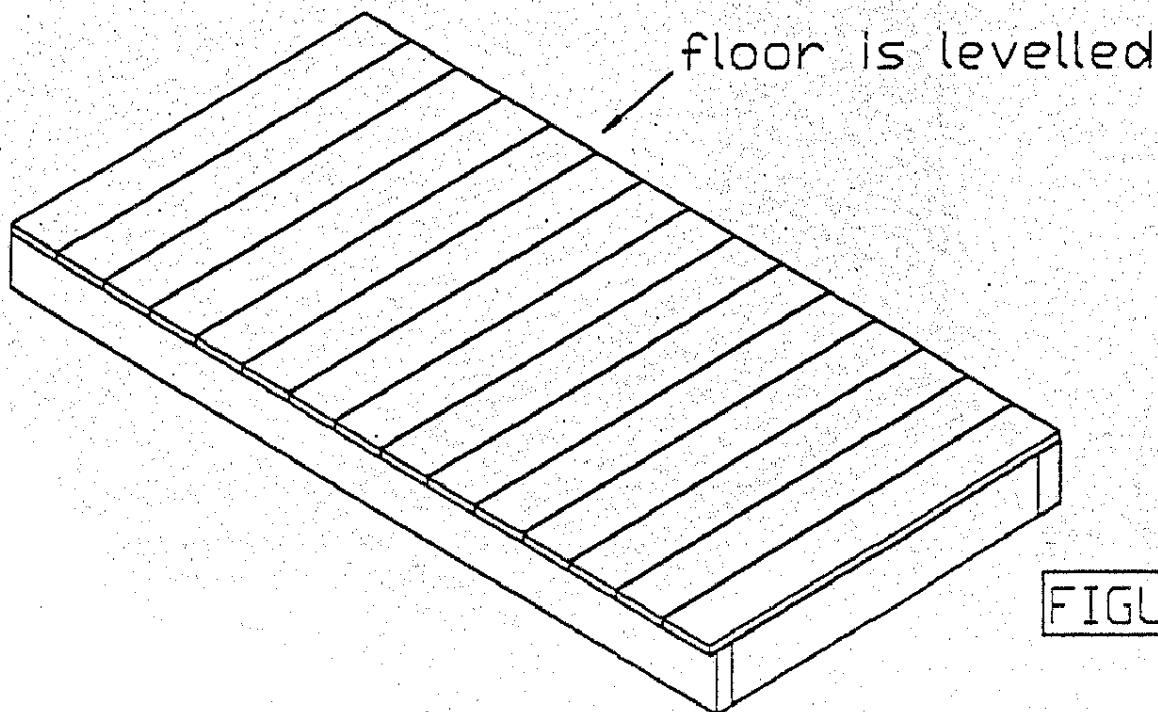


FIGURE 1

3. Take the left sidewall panel and position it on the floor so that the bottom 2x2 wall plate is flush with the outside, front and rear of the decking edges [see Figure 2]. Secure to the floor with two 3" screws as shown.

remember! wall slopes  
down toward front

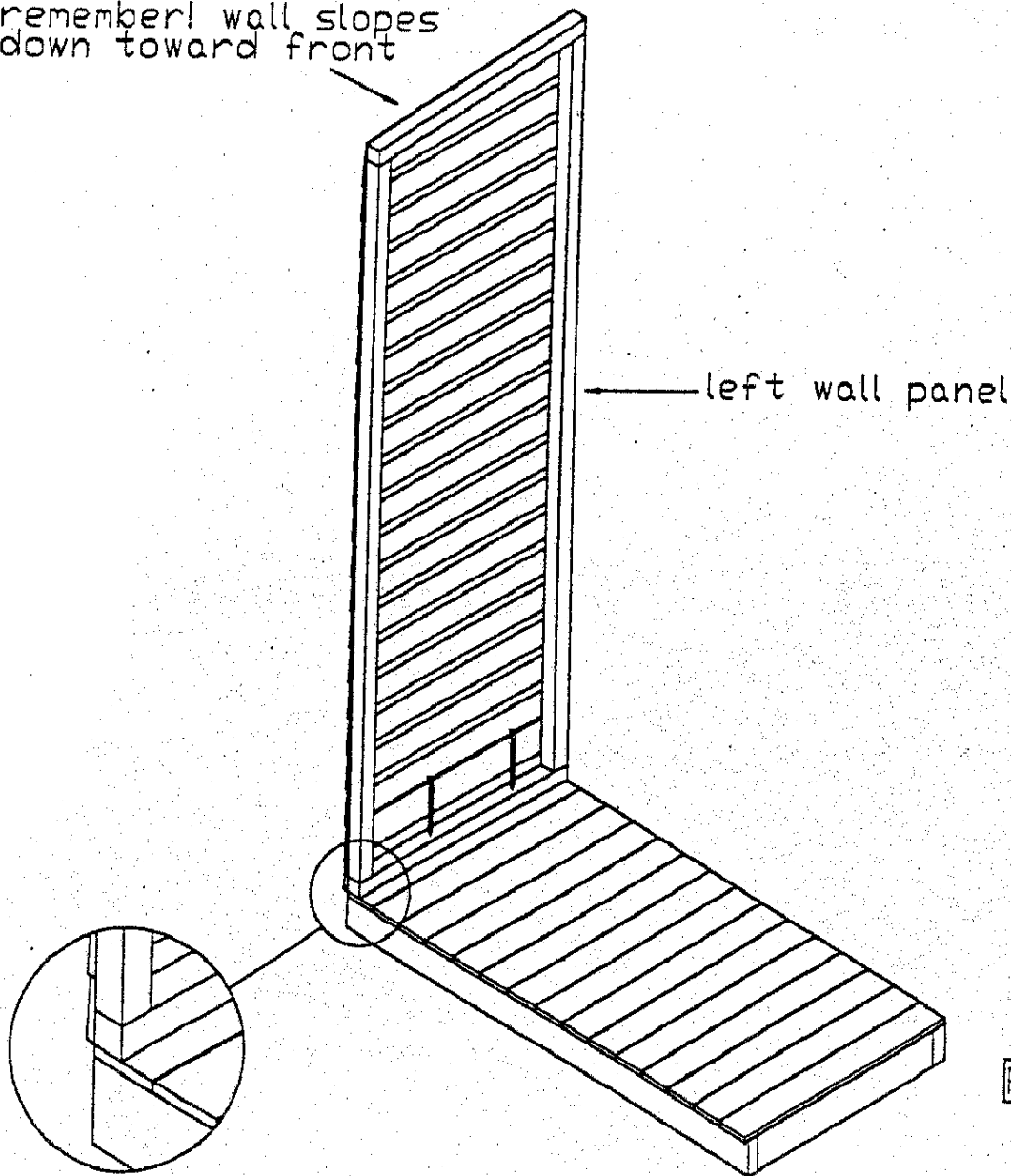


FIGURE 2

2x2 plate is flush  
with outside edge  
of floor

4. Next, place the left and right back panels on the ground, and attach the 2x2 frame together with 3" screws as shown below.
5. Now, lift the assembled rear wall onto the floor as shown in Figure 4. Ensure that the side panel 2x2 is flush with the rear face of the rear panel. Also, the 2x2 floor plate should sit flush to the rear edge of the floor. Fasten with 3" screws on the bottom, and two 3" screws into the sidewall [Figure 5].

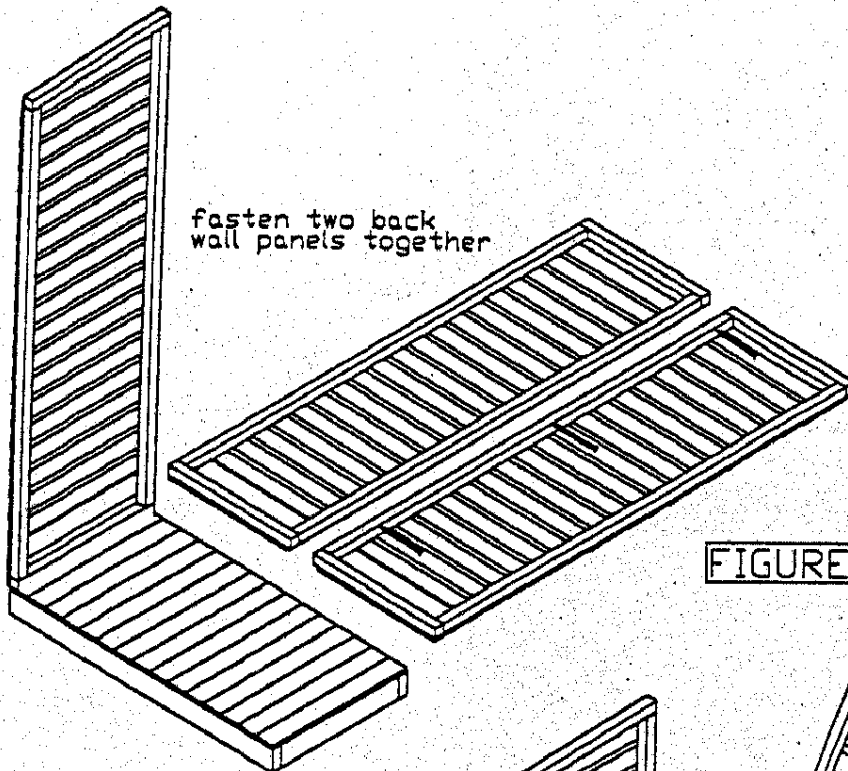


FIGURE 3

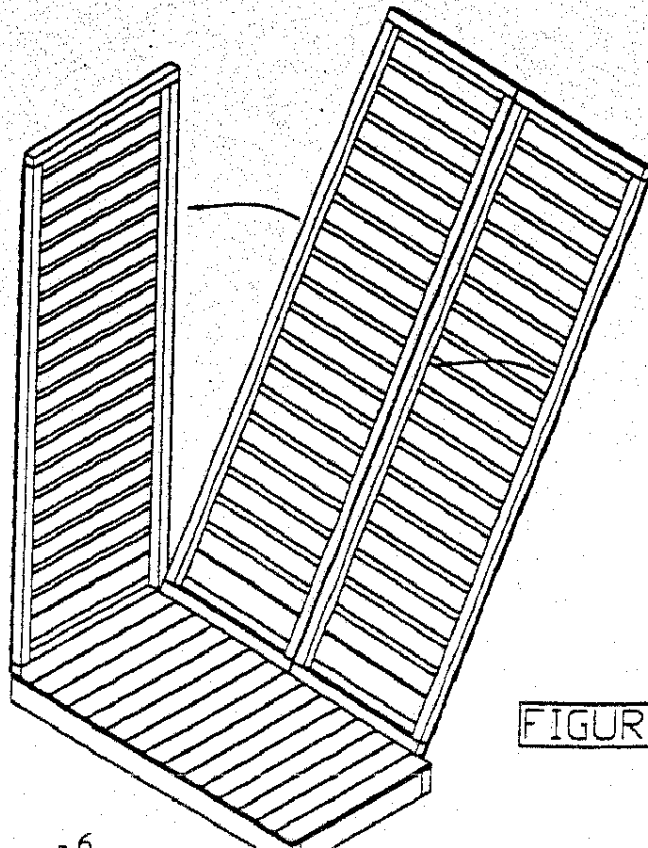
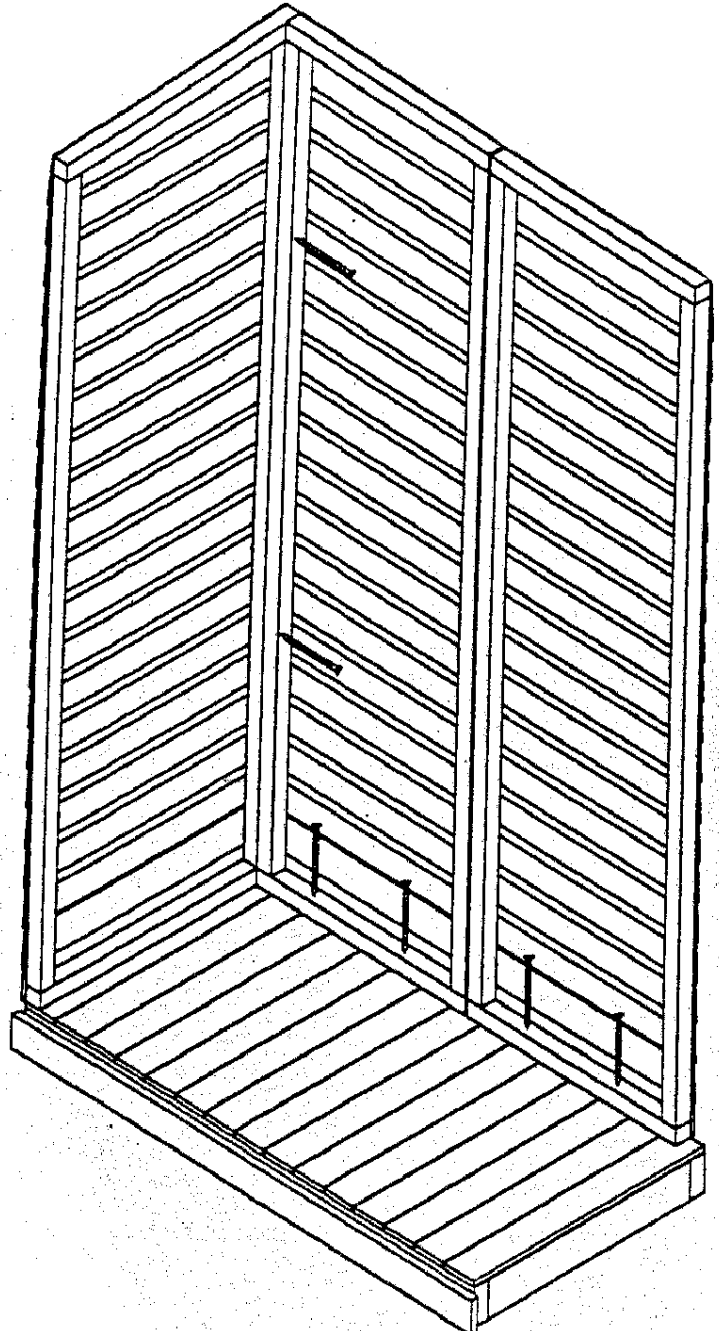


FIGURE 4



bottom 2x2 plate  
flush with edge  
of deck

FIGURE 5

6. Place the right sidewall into its proper position, flush with the rear and front decking. Like the left wall, use 3" screws to mount it to the floor and 3" screws to fasten it to the adjacent rear wall at the 2x2 butt joint [see Figure 6].

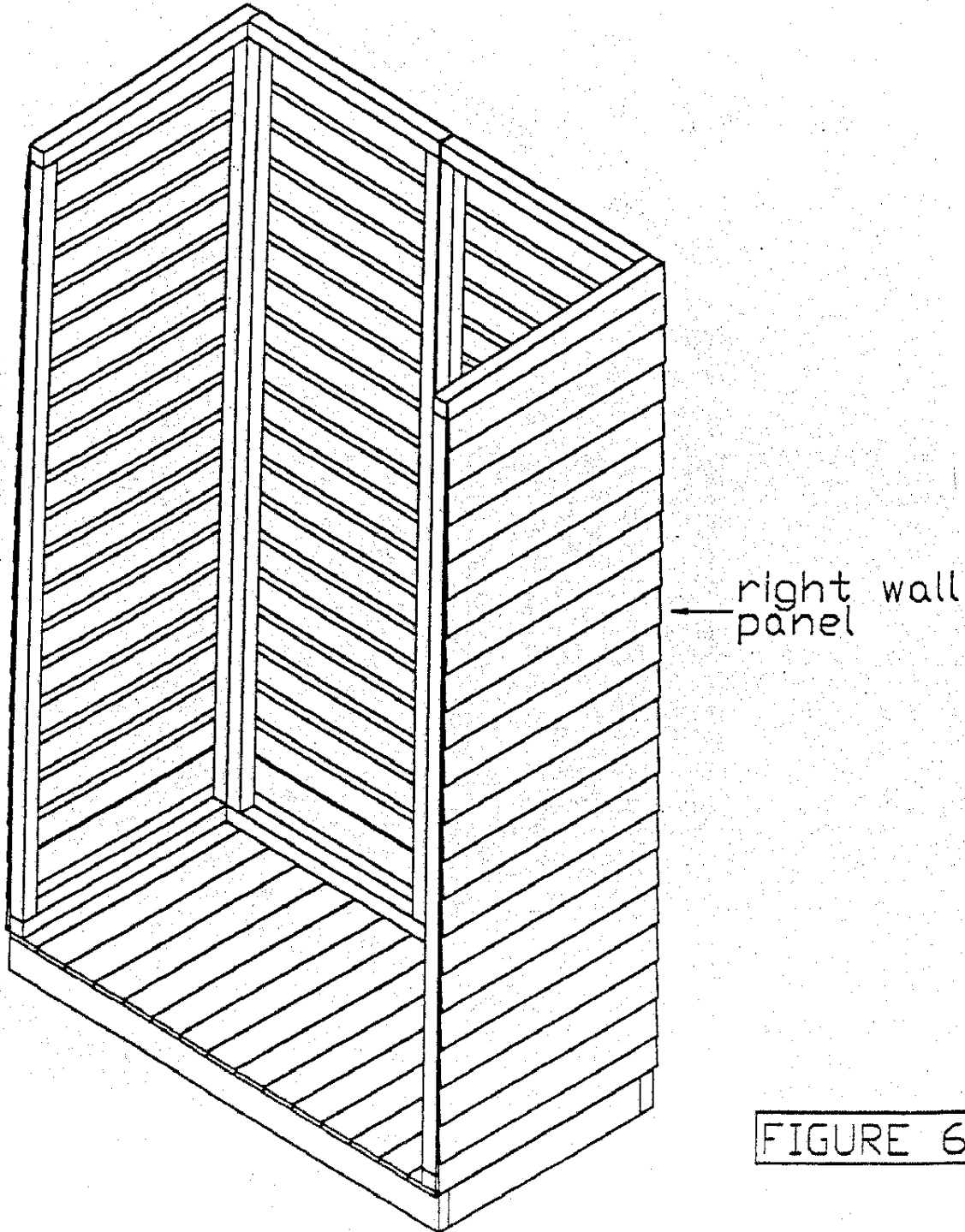
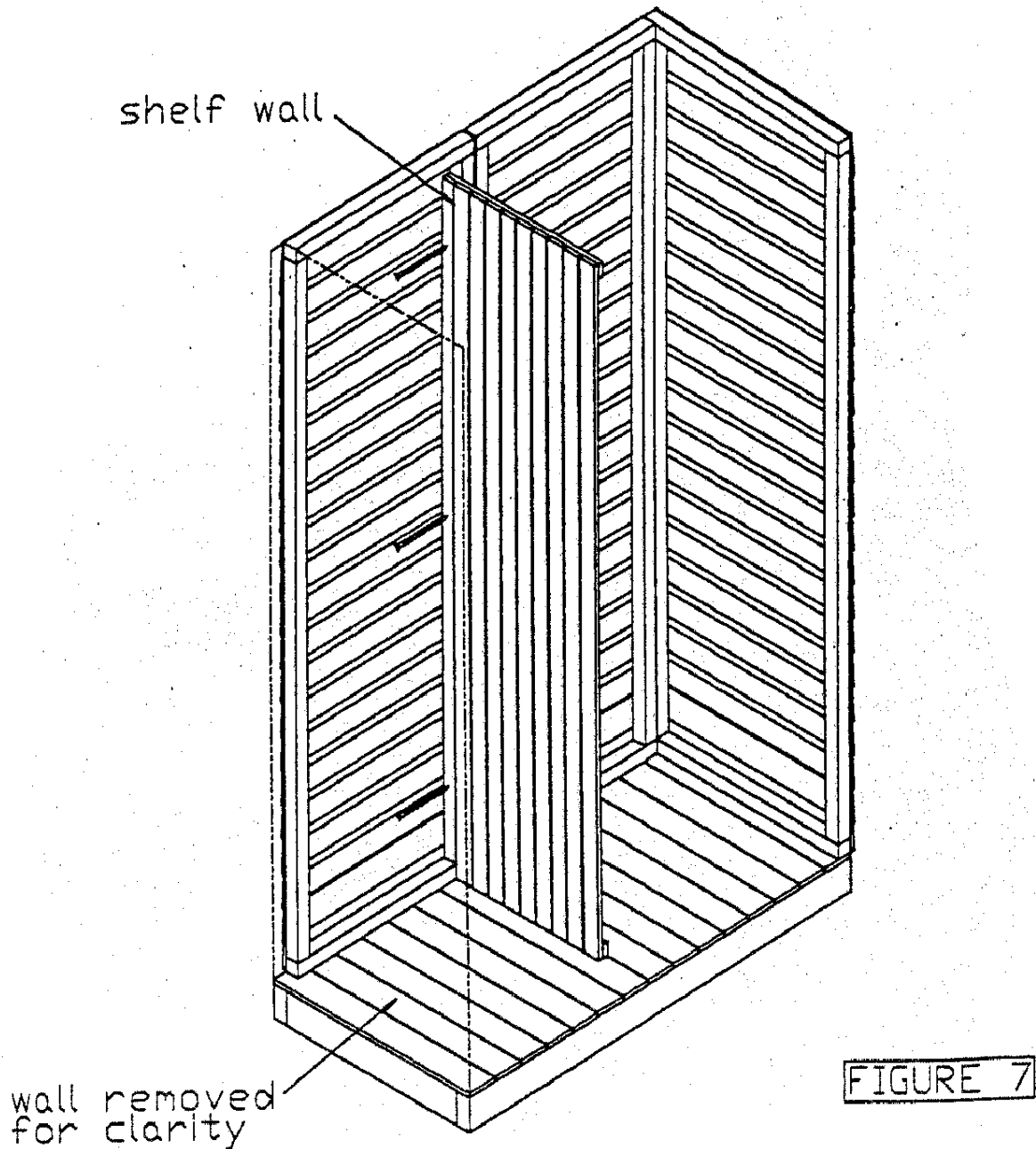


FIGURE 6

7. Place the shelf wall so that it butts up against the left side of the 2x2 rear wall joint. Be sure that the notch at the bottom fits over the 2x2 bottom plate. Secure with 3" screws. Do not fasten the bottom of the shelf wall just yet. This will allow you to adjust it once the shelves are in place [Figure 7].



8. Place the top shelf at the desired height and fasten with 3" screws from the outside of the shelf wall, penetrating the 2x2 shelf support. Complete the shelf with the 2x2 support bracket, securing it with 3" screws as shown. Repeat this procedure with the lower shelf, shown in Figure 8.

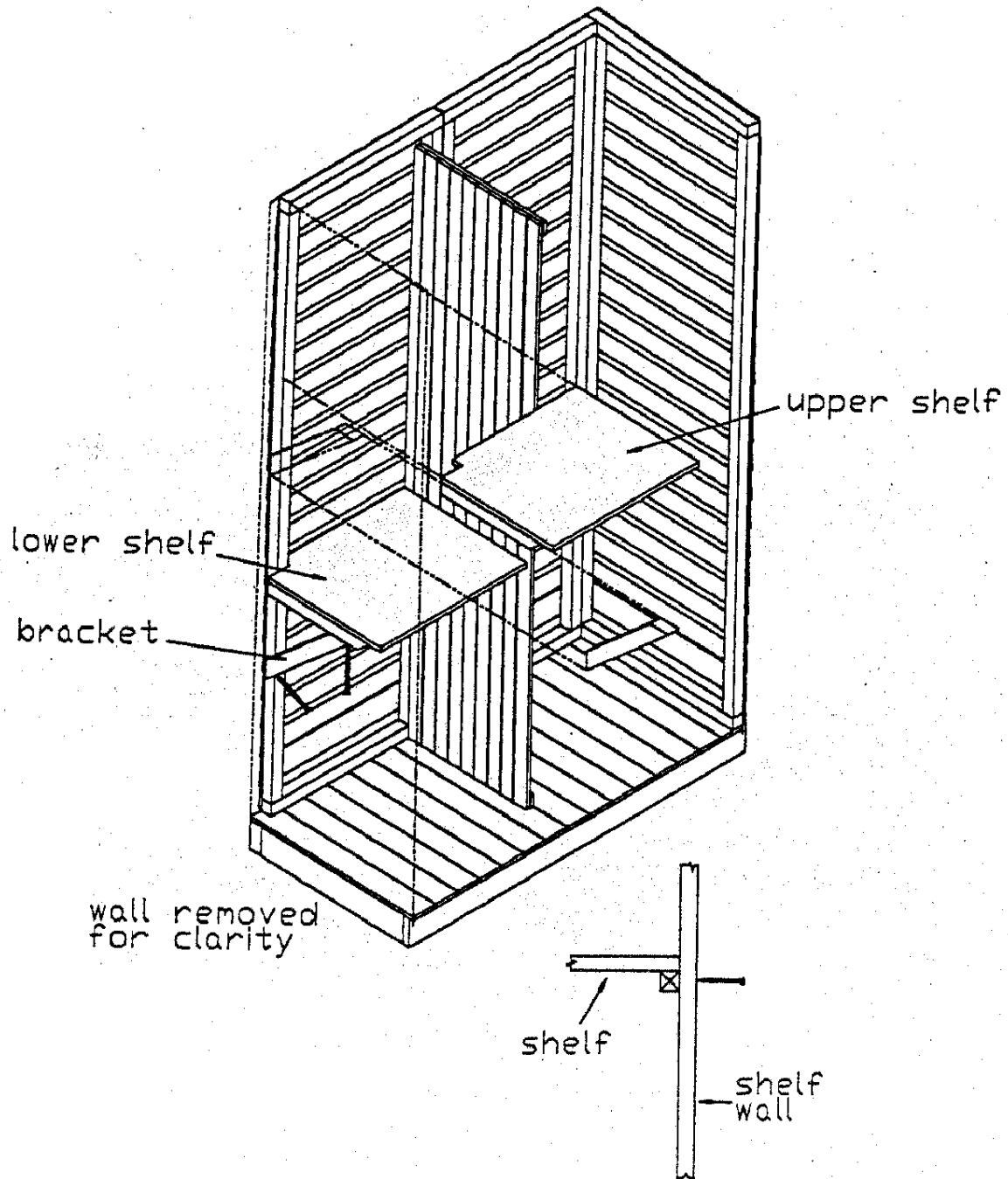
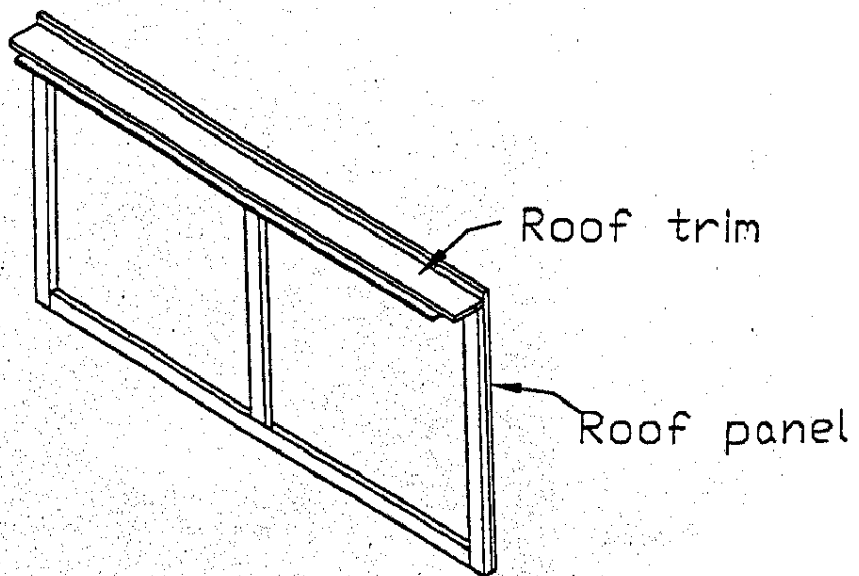
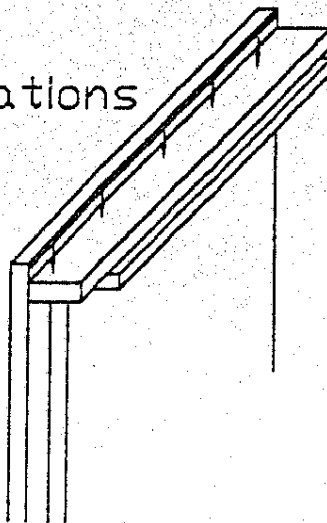


FIGURE 8

9. Take the roof panel and attach the roof trim as shown below. Slide the roof trim into place on the roof panel and nail into place using 5 - 1 3/4" finishing nails.



Insert nails  
at these locations



Placement of roof trim on the roof panel

10. Drop the roof unit into place. Adjust its position by making sure the roof frame sits flush on top of the 2x2 framework of the walls. From the inside of the structure, secure the roof with 2" screws up through the wall 2x2 and into the roof frame [see Figure 9].
11. Now would be a good time to check the final position of each wall. If you are unsatisfied, partially back out of offending screw and adjust the wall. A couple of extra well-placed 3" screws will tighten up the structure. Also, finish fastening the shelf wall to the floor with 3" screws.

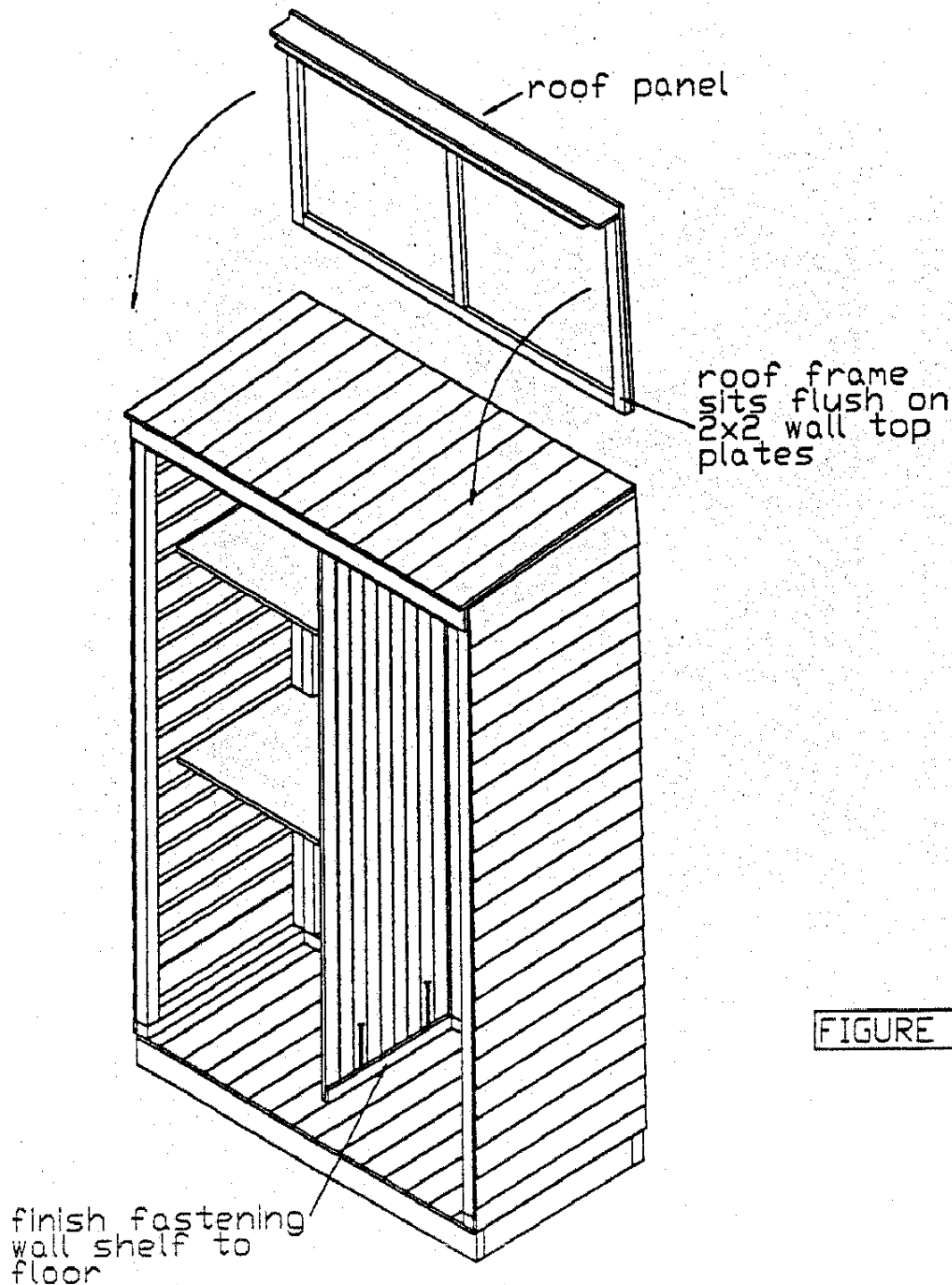
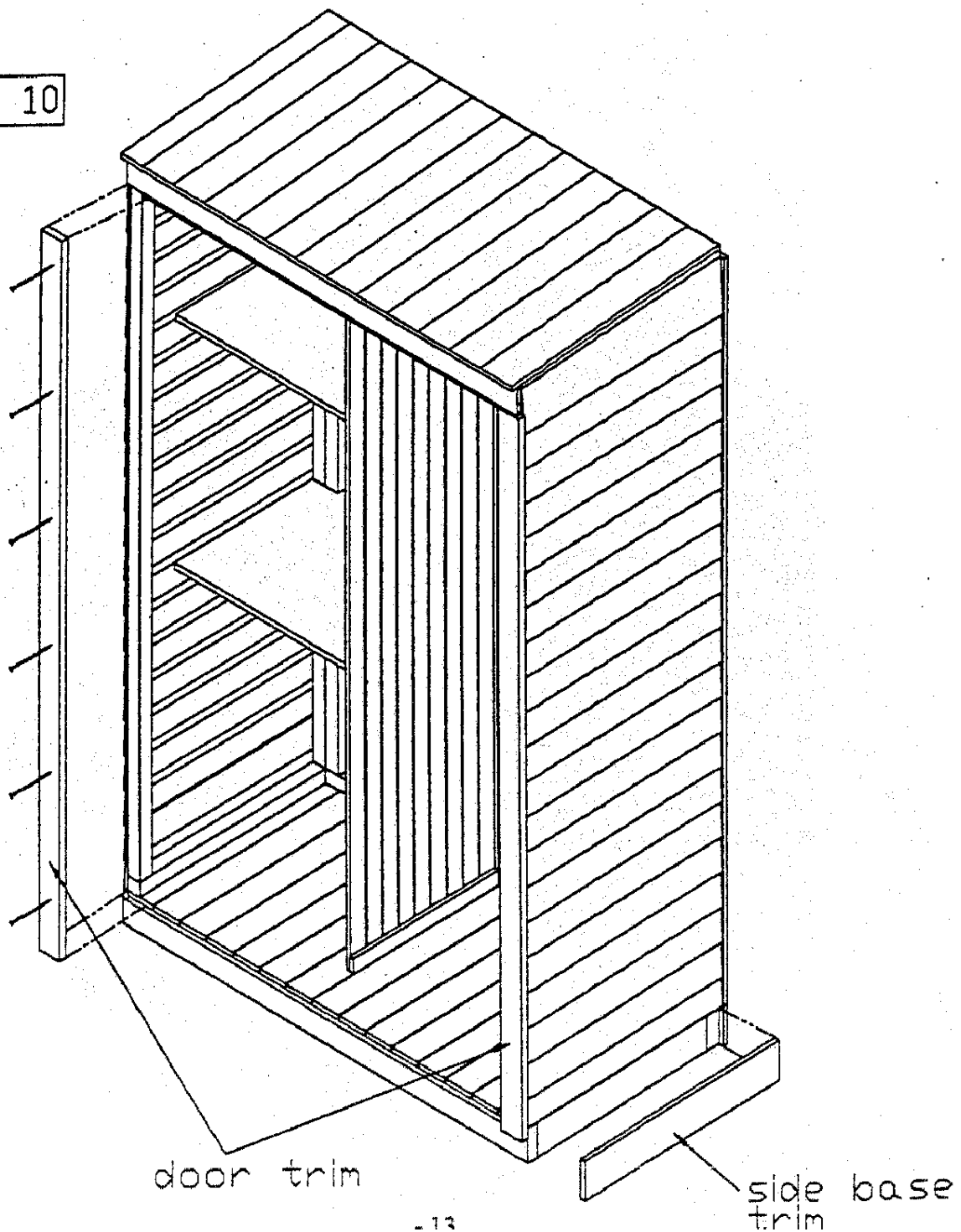


FIGURE 9

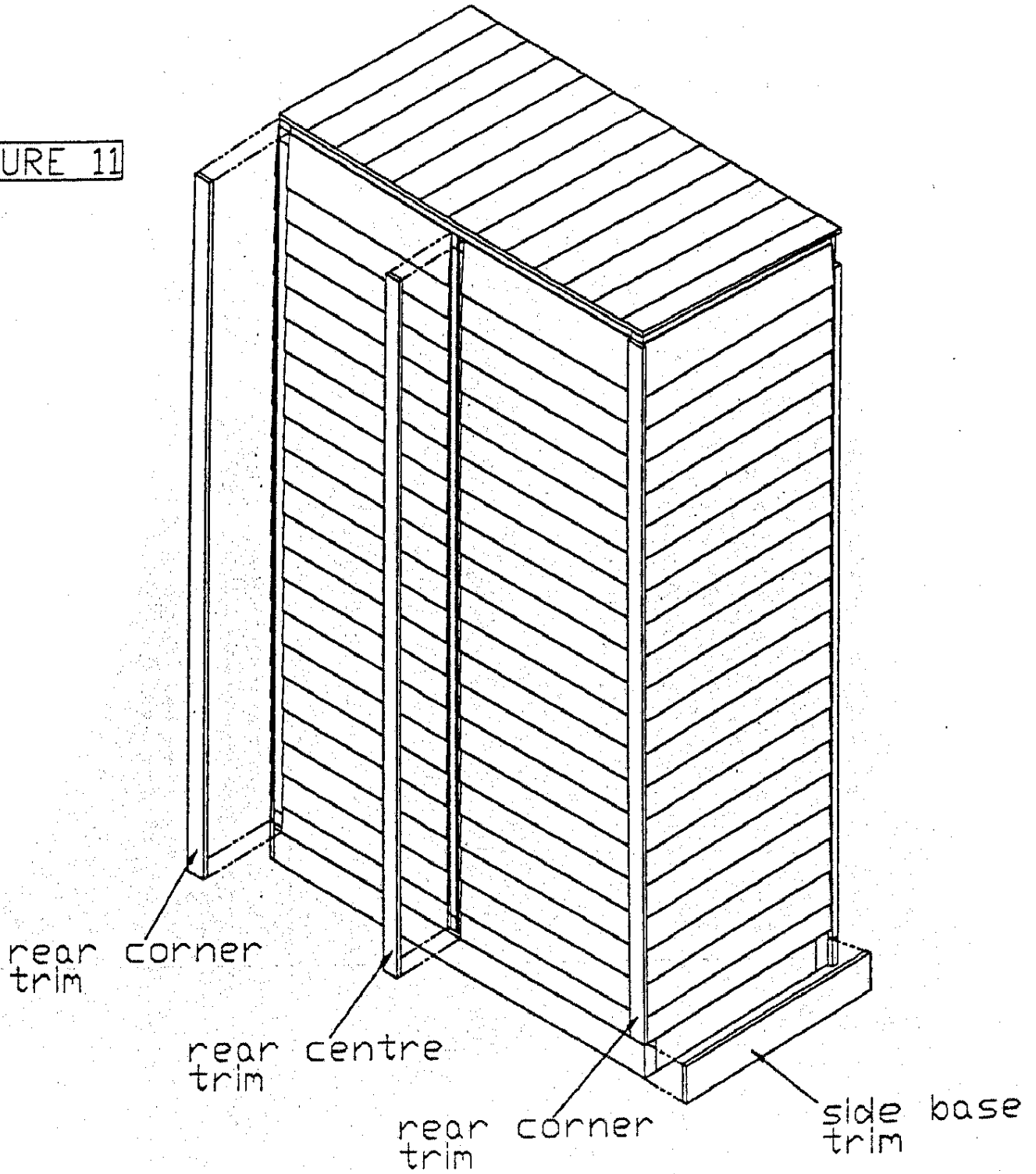
12. Fasten the two door trim boards to the front corners of the Hutch. They will fit flush against the outside of the siding and line up with the base and roof trim outside edges. Use six finishing nails to fasten the trim pieces. Repeat the procedure with the side base trim pieces, as shown in Figure 10.

FIGURE 10



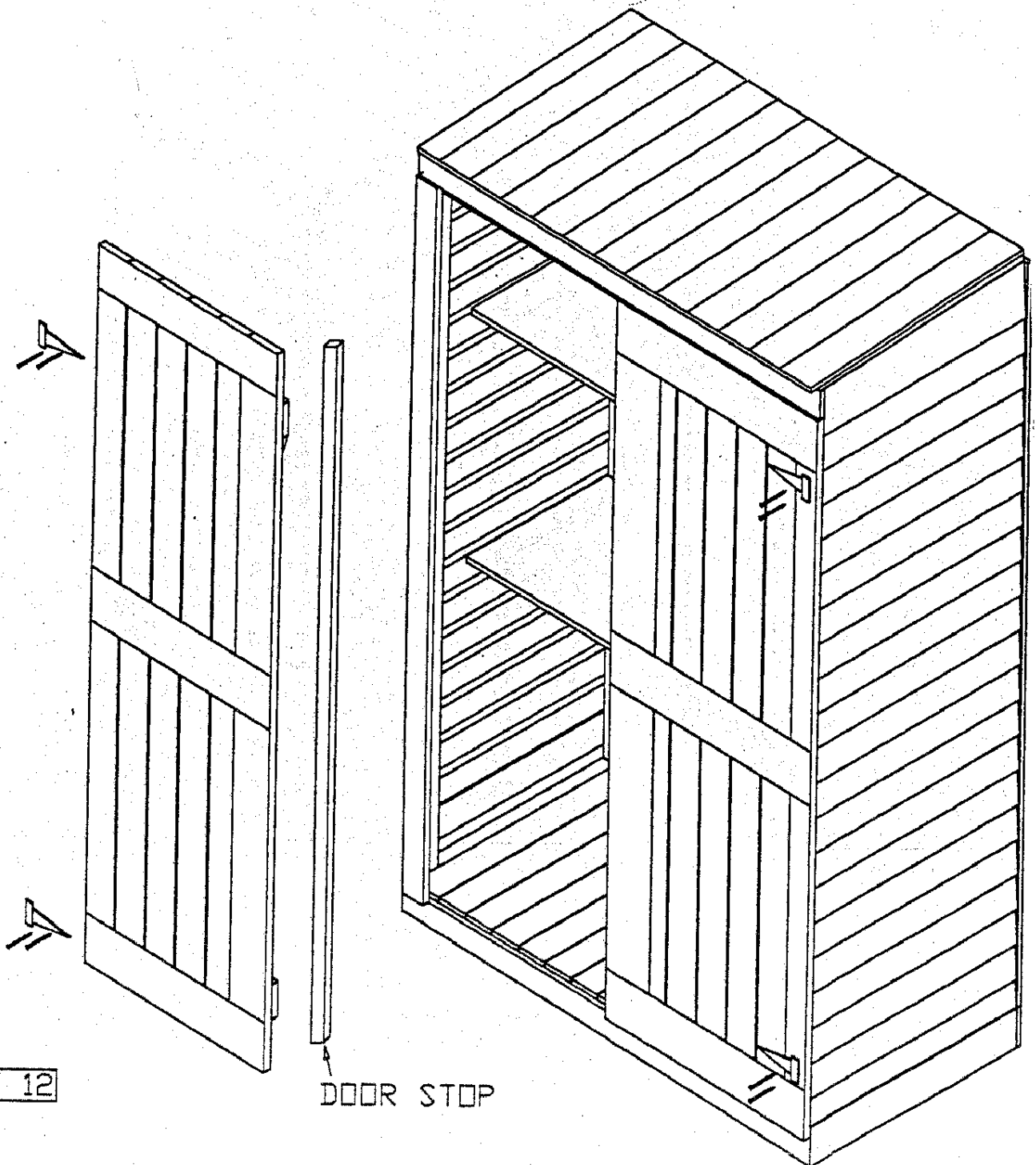
13. Repeat this procedure with the rear trim boards [Figure 11].

FIGURE 11



14. Attach the hinges to the doors, making sure they are centered over the cross piece on the back door. (Your kit may have had the hinges pre-assembled at the factory). Use the shim to form the correct clearance at the bottom end. When you are satisfied with the placement, complete the hinge assembly to the door trim as shown. Complete the other door in the same manner [Figure 12].

15. Attach door stop to the inside of either door using 6 - 1 1/8" nails.



16. Place the front trim board onto the front of the floor panel and secure with 2" screws [Figure 13].

17. Finally, fasten the door handles in the desired location [Figure 13].

Attach latch to keep doors shut

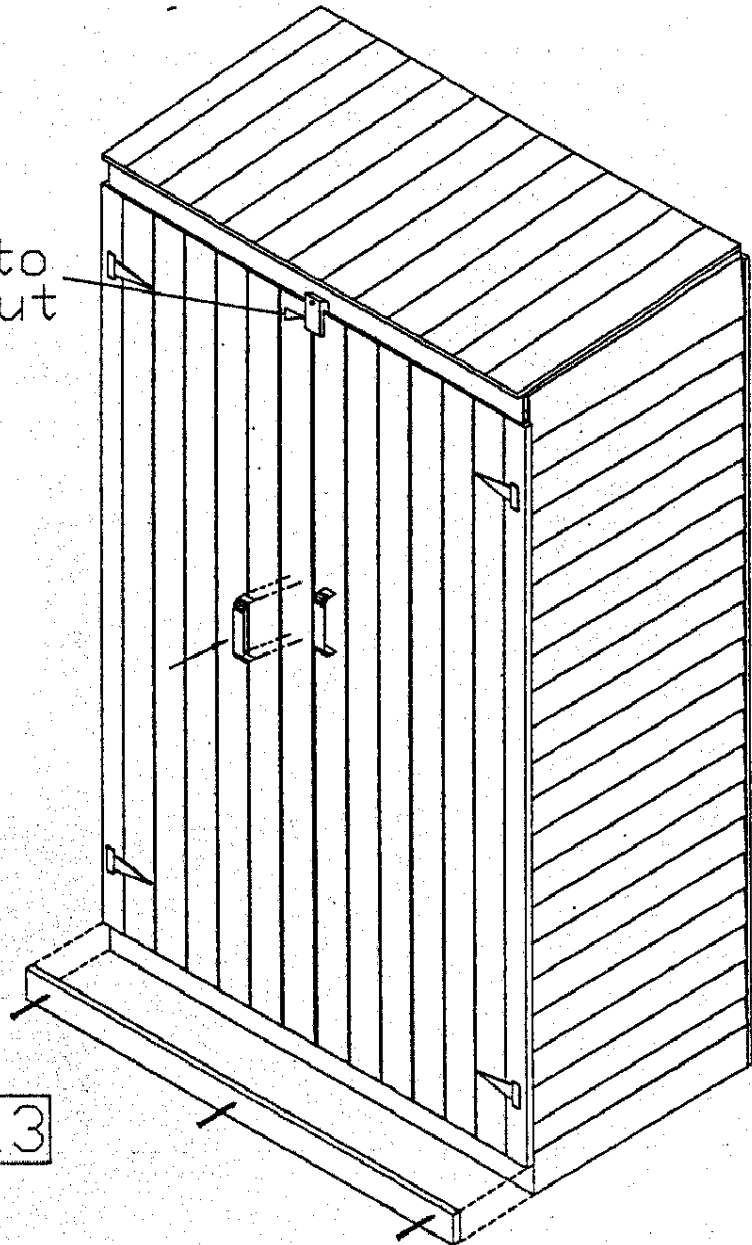


FIGURE 13

## CONGRATULATIONS

You have successfully completed the construction of your Gardener's Hutch. Thank you for choosing a CEDARSHED product. We hope that your entire experience was a rewarding one and that you and your family will have years of enjoyment with our product.

As mentioned in the questionnaire (included inside the unit packaging along with the checklist of parts), by completing our questionnaire and mailing a picture of your completed Cedarshed product, we will send you a personalized plaque free of charge that you can mount on your structure (max. 36 letters). Don't forget to enter our Best Picture Contest. Also see Questionnaire for details.

Please refer to the questionnaire or call Cedarshed if you require additional information.

**TOLL FREE CUSTOMER SUPPORT: 1 800 830 8033**

E-MAIL: [sales@cedarshed.com](mailto:sales@cedarshed.com) Visit our Website: [www.cedarshed.com](http://www.cedarshed.com)

Mailing Address:

*In Canada:*

**CEDARSHED INDUSTRIES**

9770 - 199A Street

Langley, B.C. V1M 2X7

Canada

*In USA:*

**CEDARSHED INDUSTRIES**

P.O. Box 2189

Blaine, WA 98231

USA

